

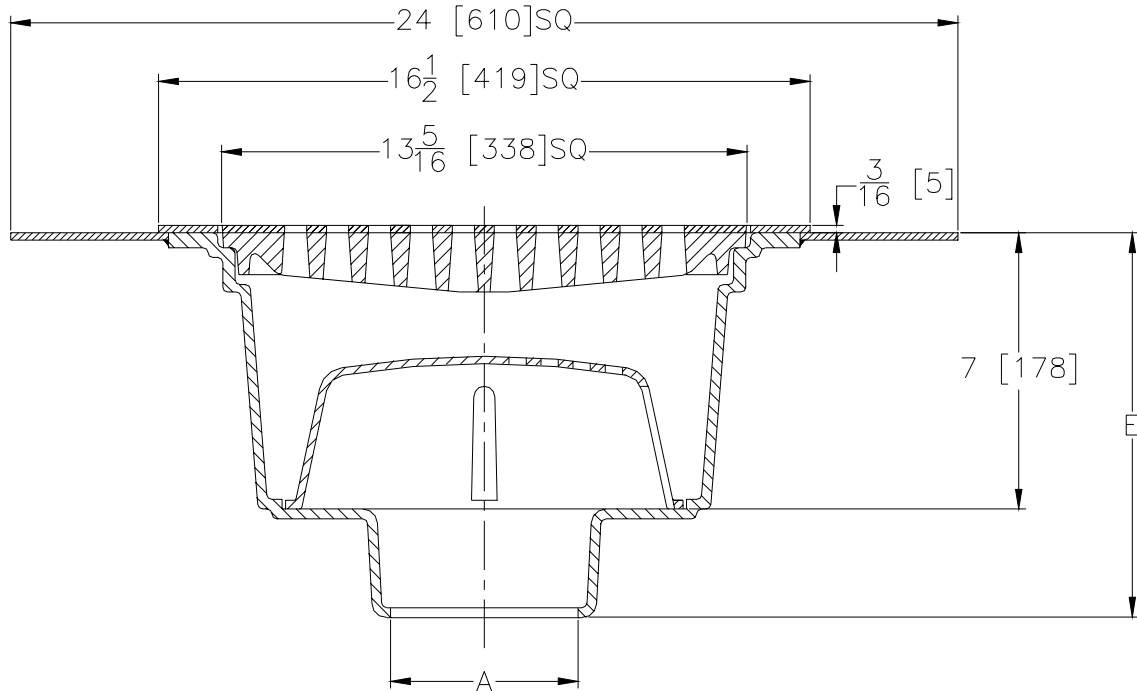


Z-1920-76
16" X 16" A.R.E. SANI-FLOR RECEPTOR
7" SUMP DEPTH

SPECIFICATION SHEET

TAG _____

Dimensional Data (inches and [mm]) are Subject to Manufacturing Tolerances and Change Without Notice



A Pipe Size In.	Approx. Wt. Lbs	Grate Open Area Sq. In.
2-3-4-6-8[52-76-102-152-203]	83[38]	54[348]

ENGINEERING SPECIFICATION: ZURN Z-1920-76 Wide Flange Sani-Flor Receptor 16" x 16" x 7"[406 x 406 x 178] deep cast iron body and square slotted heavy duty grate, nickel bronze frame and grate, with white acid resisting coated interior and top, complete with aluminum anti-splash interior bottom dome strainer.

OPTIONS (Check/specify appropriate options)

OUTLET

- ___ **IC** Inside Caulk
- ___ **IC** Inside Caulk

PIPE SIZE (Specify size)

- ___ 2",3",4",6"[52,76,102,152]
- ___ 8"[203]

'E' BODY HT. DIMENSION

- ___ 10"[254]
- ___ 10-1/2"[267]

PREFIXES

- ___ **ZN-** Cast Iron Body with White A.R.E. Interior, 16-1/2"[419] Square N.B. Frame and Full Grate*

SUFFIXES

- | | |
|--|--|
| ___ -LD (Less) Bottom Dome Strainer | ___ -18 Solid Loose Set Cover w/2"[52] Sq. Center Opening |
| ___ -P 1/2"[13] Trap Primer Connection | ___ -23 Aluminum Bucket |
| ___ -1 (Less) Grate | ___ -25 White A.R.E. Bucket |
| ___ -2 1/2 Grate | ___ -31 Stl. Steel Mesh Liner for Bucket |
| ___ -3 3/4 Grate | ___ -33 White A.R.E. Anti-Splash Bottom Dome Strainer |
| ___ -4 Full Grate w/2"[52] Sq. Center Opening | |
| ___ -5 Grate w/4"[102] Dia. x 3-3/4"[95] High Funnel | |
| ___ -6 Grate w/6"[152] Dia. x 6"[152] High Funnel | |
| ___ -7 Grate w/6-3/4" x 3" x 1"[171 x 76 x 25] High Oval Funnel | |
| ___ -8 Grate w/8-7/8" x 3-5/8" x 3-3/4"[225 x 92 x 95] High Oval Funnel | |
| ___ -11 Vandal Proof Secured Grate | |
| ___ -15 Solid Loose Set Cover | |
| ___ -16 1/2 Solid Loose Set Cover | |
| ___ -17 3/4 Solid Loose Set Cover | |

*REGULARLY FURNISHED UNLESS OTHERWISE SPECIFIED

REV.	DATE: 7/17/92	C.N. NO. 68421
DWG. NO. P-13719	PRODUCT NO. Z-1920-76	