



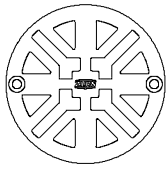
Z420-75

DEEP SHANK FLOOR AND SHOWER DRAIN W/ TOP-SET® DECK PLATE FOR MARBLE & GRANITE APPLICATIONS

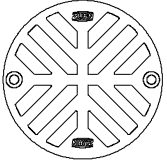
SPECIFICATION SHEET

TAG _____

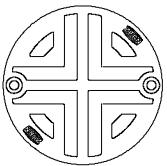
Dimensional Data (inches and [mm]) are Subject to Manufacturing Tolerances and Change Without Notice



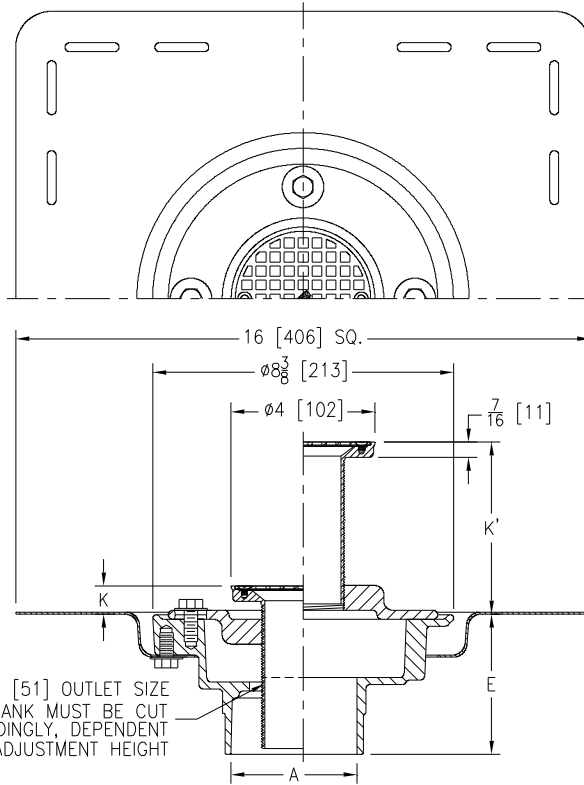
(OPTIONAL) -DS1 STRAINER



(OPTIONAL) -DS2 STRAINER



(OPTIONAL) -DS3 STRAINER



Dimensions In Inches					Approx. Wt. Lbs. [kg]	Strainer Open Area Sq. In. [cm ²]
A Pipe Size	K		K'			
	Min.	Max.	Min.	Max.		
2-3-4 [51-76-102]	13/16 [21]	3 3/4 [95]	1 1/4 [32]	4 13/16 [122]	15 [7]	5 [32]
6 [152]	13/16 [21]	3 3/4 [95]	1 1/4 [32]	4 13/16 [122]	13 [6]	5 [32]

ENGINEERING SPECIFICATION: ZN420-75

Deep Shank Floor and shower drain, white acid resisting coated cast iron body and invertible membrane clamp with seepage slots, top-set® deck plate, polished nickel bronze adjustable head with 2 [51] N.P.S.M shank and 4 [102] diameter round secured strainer.

OPTIONS (Check/specify appropriate options)

PIPE SIZE

- 2, 3, 4 [51, 76, 102]
- 2, 3, 4 [51, 76, 102]
- 2 [51]
- 3 [76]
- 4 [102]
- 6 [152]
- 2, 3, 4 [51, 76, 102]
- 2, 3, 4 [51, 76, 102]

(Specify size/type) **OUTLET**

- _____ IC Inside Caulk
- _____ IG Inside Gasket
- _____ IP Threaded
- _____ IP Threaded
- _____ IP Threaded
- _____ IP Threaded
- _____ NH No-Hub
- _____ NL Neo-Loc

'E' BODY HT. DIM.

- 3 7/8 [98]
- 3 7/8 [98]
- 2 3/8 [60]
- 2 5/8 [67]
- 2 7/8 [73]
- 2 3/4 [70]
- 3 7/8 [98]
- 3 3/4 [95]

PREFIXES

- _____ ZB White A.R.C. Cast Iron Body and Collar w/ Polished Bronze Top
- _____ ZN White A.R.C. Cast Iron Body and Collar w/ Polished Nickel Bronze Top*

SUFFIXES

- _____ -CP Chrome Plated Bronze Top (ZB only)
- _____ -DS1 Decorative Strainer
- _____ -DS2 Decorative Strainer
- _____ -DS3 Decorative Strainer
- _____ -G Galvanized Cast Iron
- _____ -VP Vandal-Proof Secured Top

*REGULARLY FURNISHED UNLESS OTHERWISE SPECIFIED

REV.	DATE: 1/30/09	C.N. NO. 99638
DWG. NO. P-15656 PRODUCT NO. Z420-75		