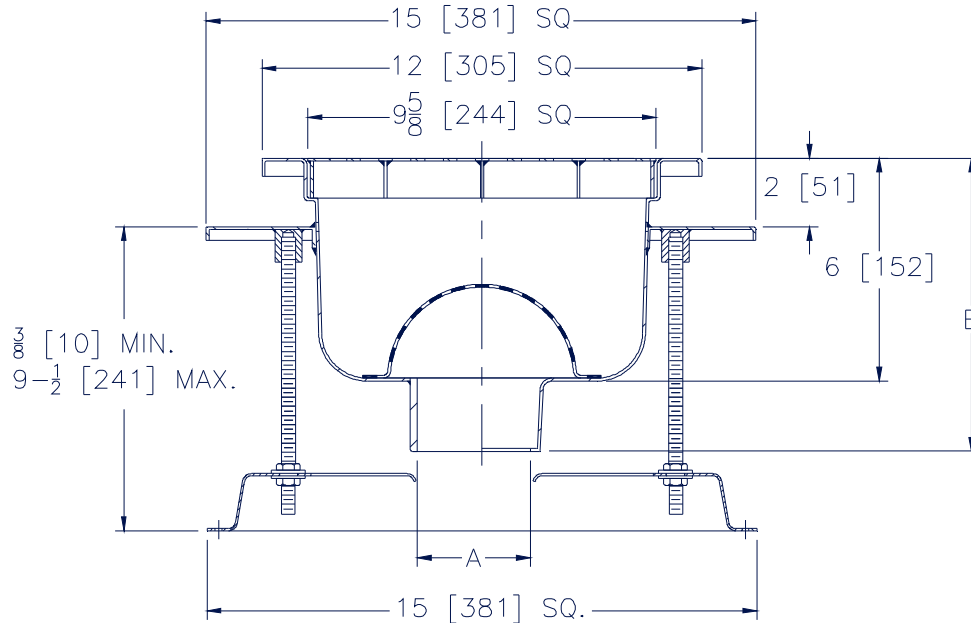




Z1750-161

12 X 12 [305 X 305] SANI-FLOR RECEPTOR 6 [152] SUMP SPECIFICATION SHEET DEPTH W/ ANCHOR FLANGE & ADJUSTABLE SUPPORT PLATE TAG _____

Dimensional Data (inches and [mm]) are Subject to Manufacturing Tolerances and Change Without Notice



A Pipe Size In. [mm]	Approx. Wt. Lbs. [kg]	Grate Open Area Sq. In. [cm ²]
2, 3, 4 [51, 76, 102]	18 [8]	23 [148]
6 [152]	20 [9]	

ENGINEERING SPECIFICATION: ZURN Z1750-161

12" x 12" x 6" [305mm x 305mm x 152mm] deep, 16 gage, All Type 304 (CF8) Stainless Steel light duty Sani-Flor receptor with seepage pan with seepage holes, non-tilt, loose set full grate with 1/2" [13mm] square openings and anti-splash interior dome strainer. Complete with adjustable support plate.

OPTIONS (Check/specify appropriate options)

PIPE SIZE

- 2, 3, 4 [51, 76, 102]
- 2 [51]
- 3 [76]
- 4 [102]
- 2, 3, 4, 6 [51, 76, 102, 152]
- 2, 3, 4 [51, 76, 102]

(Specify size/type) OUTLET

- _____ IC Inside Caulk
- _____ IP Threaded
- _____ IP Threaded
- _____ IP Threaded
- _____ NH No-Hub
- _____ NL Neo-Loc

'E' BODY HT. DIM.

- 8-9/16 [214]
- 7-5/16 [186]
- 7-9/16 [198]
- 8-1/16 [205]
- 8-1/16 [205]
- 7-13/16 [198]

PREFIXES

- _____ Z Type 304 (CF8) Stainless Steel Body*
- _____ ZM Type 316 (CF8M) Stainless Steel

SUFFIXES

- _____ -DX Dex-o-tex Flange
- _____ -HD Extra Heavy-Duty Grate
- _____ -HP Heel-Proof Grate
- _____ -LSH (Less) Seepage Holes
- _____ -P 1/2 [13] Trap Primer Connection
- _____ -SG Solid Gasketed Cover
- _____ -TC Neo-Loc Test Cap Gasket (2, 3, 4 [51, 76, 102] NL Bottom Outlet Only)
- _____ -VP Vandal-Proof Secured Top
- _____ -Y Sediment Bucket
- _____ -YS Suspended Sediment Bucket
- _____ -1 (Less) Grate
- _____ -2 1/2 Grate
- _____ -3 3/4 Grate
- _____ -4 Full Grate w/ 3 [76] Square Opening
- _____ -5 Grate w/ 4 [102] Dia. x 3-3/4 [95] High Type 304 Stainless Steel Funnel
- _____ -8 Grate w/ 8-3/8 x 3-5/8 x 3-3/4 [213 x 92 x 95] High Type 304 Stainless Steel Oval Funnel
- _____ -15 Solid Cover
- _____ -16 1/2 Solid Cover
- _____ -17 3/4 Solid Cover
- _____ -18 Solid Cover w/ 3 [76] Square Center Opening
- _____ -19 Full Hinged Grate
- _____ -20 Full Hinged Solid Cover

* Regularly furnished unless otherwise specified.