



Z415BZ-DC-SA

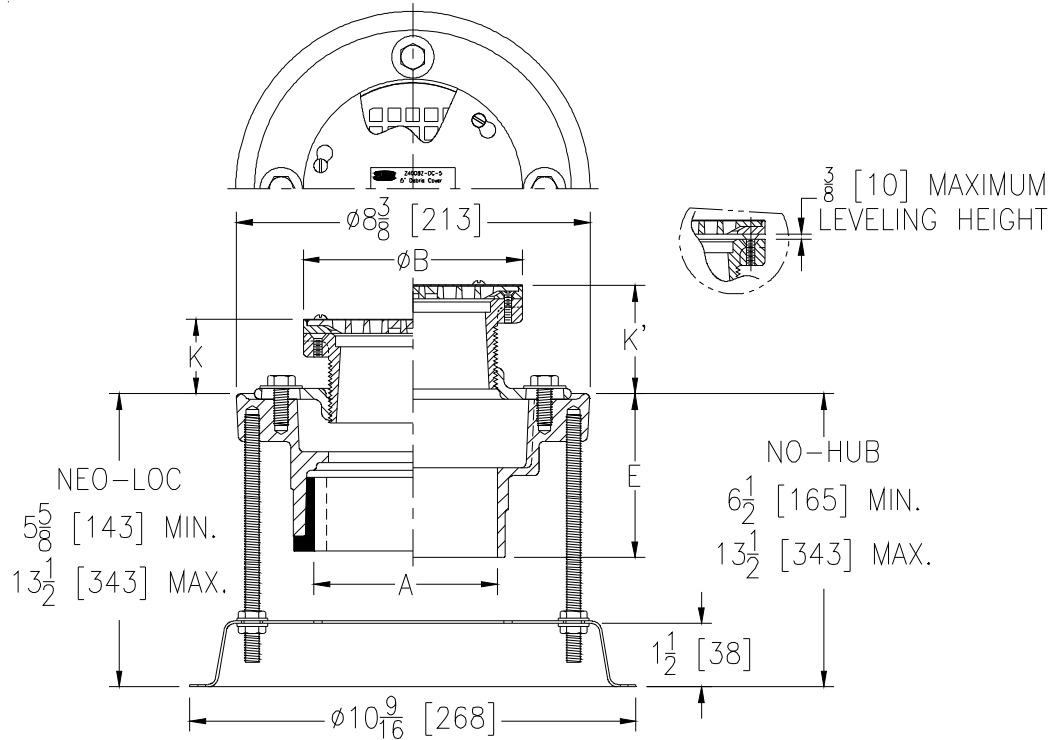
SPECIFICATION SHEET

BODY ASSEMBLY W/ "TYPE BZ" LEVELING STRAINER,
DEBRIS COVER AND STABILIZER ASSEMBLY

TAG _____

Dimensional Data (inches and [mm]) are Subject to Manufacturing Tolerances and Change Without Notice

**PATENT
PENDING**



5" Top Illustrated

Dimensions In Inches						Approx. Wt. Lbs. [kg]	Strainer Open Area Sq. In. [cm ²] (After Removal of Debris Cover)
A Pipe Size	B Dia.	K		K'			
		Min.	Max.	Min.	Max.		
2-3 [51-76]	5-3/16 [132]	1-1/16 [27]	2-1/16 [52]	1-9/16 [40]	2-13/16 [71]	11 [5]	8 [52]
2-3-4 [51-76-102]	6-1/4 [159]	1-3/8 [35]	2-7/32 [56]	1-3/4 [44]	2-15/16 [75]	13 [6]	9 [58]

ENGINEERING SPECIFICATION: ZURNZN415BZ-DC-SA

Floor and shower drain, Dura-Coated cast iron body with bottom outlet, combination invertible membrane clamp and adjustable collar with seepage slots and "TYPE BZ" polished nickel bronze, light-duty, leveling strainer, galvanized steel construction debris cover and stabilizer assembly.

OPTIONS (Check/specify appropriate options)

PIPE SIZE

2 thru 4 [51 thru 102]
2 thru 4 [51 thru 102]

(Specify size/type) **OUTLET**

____ NH No-Hub
____ NL Neo-Loc

'E' BODY HT. DIM.

3-7/8 [98]
3-3/4 [95]

PREFIXES

____ ZB D.C.C.I. Body Assembly w/ Polished Bronze Top
____ ZN D.C.C.I. Body Assembly w/ Polished Nickel Bronze Top*

SUFFIXES

____ -AA All Acid Resisting Epoxy
____ -AR Acid Resisting Epoxy Coated Cast Iron
____ -CP Chrome-Plated Bronze Top
____ -DP Decorative Polished Top
____ -G Galvanized Cast Iron
____ -P Trap Primer Connection (Specify 1/2 [13] or 3/4 [19])
____ -TC Neo-Loc Test Cap Gasket (2-4 [51-102] NL Outlet Only)
____ -U 1-3 [25-76] High Extension Adapter
____ -V Backwater Valve
____ -VP Vandal-Proof Secured Top
____ -Y Sediment Bucket

** For -BZ Installation Instructions, See Form #FD86.

REV. A	DATE: 1/11/12	C.N. NO. 122636
DWG. NO. 304231		PRODUCT NO. Z415BZ-DC-SA

*REGULARLY FURNISHED UNLESS OTHERWISE SPECIFIED