



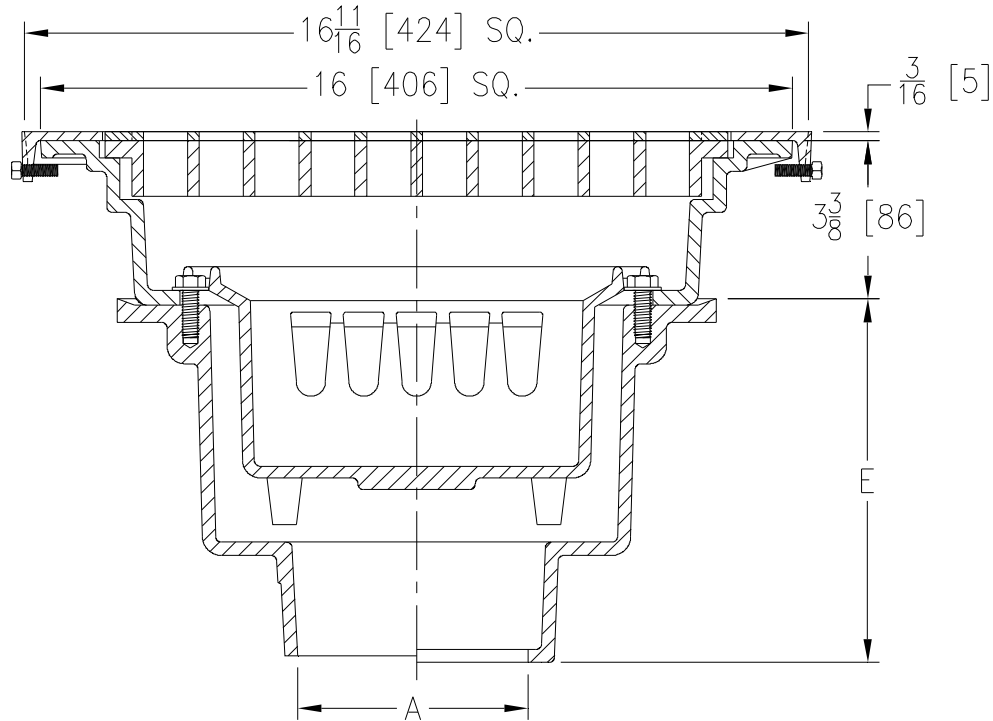
ZN662-HF

SPECIFICATION SHEET

16 [406] SQUARE TOP HEAVY-DUTY DRAIN W/
HIGH FLOW POLISHED NICKEL BRONZE TOP

TAG _____

Dimensional Data (inches and [mm]) are Subject to Manufacturing Tolerances and Change Without Notice



A Pipe Size	Approx. Wt. Lbs. [kg]	Grate Open Area Sq. In. [cm ²]
3, 4 [76, 102]	98 [44]	103 [665]
5, 6 [127, 152]	101 [46]	

ENGINEERING SPECIFICATION: ZN662-HF

16 [406] Square top drain, Dura-Coated cast iron body with bottom outlet, seepage pan and combination membrane flashing clamp with nickel bronze frame, suspended sediment bucket and heavy-duty high flow grate with nickel bronze finish.

OPTIONS (Check/specify appropriate options)

PIPE SIZE

- 3 thru 6 [76 thru 152]
- 3, 4, 6 [76, 102, 152]
- 3 [76]
- 4 thru 6 [102 thru 152]
- 3 thru 6 [76 thru 152]
- 3, 4 [76, 102]

(Specify size/type) **OUTLET**

- ___ IC Inside Caulk
- ___ IG Inside Caulk w/Sealtrol Gskt.
- ___ IP Threaded
- ___ IP Threaded
- ___ NH No-Hub
- ___ NL Neo-Loc

'E' BODY HT. DIM.

- 7 3/4 [197]
- 7 3/4 [197]
- 6 1/16 [154]
- 6 5/16 [160]
- 7 13/16 [198]
- 7 3/16 [183]

PREFIXES

- ___ ZB D.C.C.I Body w/ Polished Bronze Top
- ___ ZN D.C.C.I Body w/ Polished Nickel Bronze Top*

SUFFIXES

- ___ -LY (Less) Sediment Bucket
- ___ -SS Stainless Mesh Liner for Bucket
- ___ -TC Neo-Loc Test Cap Gasket (3 [76] - 4 [102] NL Bottom Outlet Only)
- ___ -TS Top Secured with Slotted Screws
- ___ -V Backwater Valve (See Z1099)
- ___ -VP Vandal-Proof Secured Top
- ___ -YA Aluminum Sediment Bucket
- ___ -90 90° Threaded Side Outlet Body

REV.	DATE: 3/16/09	C.N. NO. 99797
DWG. NO. 84135	PRODUCT NO. ZN662-HF	

*REGULARLY FURNISHED UNLESS OTHERWISE SPECIFIED