



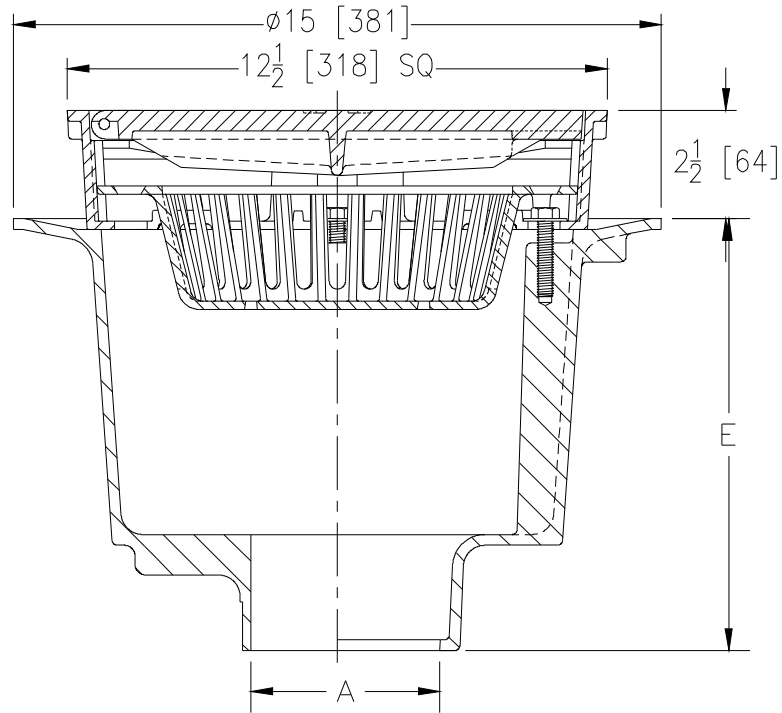
Z610-136

12 [305] DRAIN W/ DEEP SUMP BODY AND HINGED COVER

SPECIFICATION SHEET

TAG _____

Dimensional Data (inches and [mm]) are Subject to Manufacturing Tolerances and Change Without Notice



A Pipe Size In. [mm]	Approx. Wt. Lbs. [kg]	Grate Open Area Sw. In. [cm ²]
3,4,6 [76,102,152]	68 [31]	30 [194]
8 [203]		

ENGINEERING SPECIFICATION: ZURN Z610136

12" [305mm] Square top drain, Dura-Coated cast iron deep sump body with bottom outlet, seepage pan and combination membrane flashing clamp and frame for cast iron hinged solid cover, with suspended polypropylene sediment bucket.

OPTIONS (Check/specify appropriate options)

PIPE SIZE

3,4,6 [76,102,152]
 3,4,6 [76,102,152]
 3,4,6,8 [76,102,152,203]
 3,4 [76,102]

(Specify size/type) OUTLET

___ IC Inside Caulk
 ___ IG Inside Gasket
 ___ NH No-Hub
 ___ NL Neo-Loc

'E' BODY HT. DIM.

10 [254]
 10 [254]
 10 [254]
 9-5/16 [237]

PREFIXES

___ Z D.C.C.I. Body and Top*
 ___ ZB D.C.C.I Body w/Polished Bronze Top (Add 3/16 [5] to 2-1/2 [64] Dim. and 3/4 [19] to 12-1/2 [318] Dim.)
 ___ ZN D.C.C.I Body w/Polished Nickel Bronze Top (Add 3/16 [5] to 2-1/2 [64] Dim. and 3/4 [19] to 12-1/2 [318] Dim.)

SUFFIXES

___ -AR Acid Resistant Epoxy Coated Cast Iron
 ___ -DX Dex-o-tex Flange (ZB, ZN Only)
 ___ -F 2 [51] High Extension
 ___ -G Galvanized Cast Iron
 ___ -LY (Less) Sediment Bucket
 ___ -S Secondary Strainer
 ___ -SS Stainless Steel Mesh Liner for Bucket
 ___ -TC Neo-Loc Test Cap Gasket
 (2,3,4 [51,76,102] NL Bottom Outlet Only)
 ___ -TS Top Secured with Slotted Screws
 ___ -YA Aluminum Sediment Bucket
 ___ -YC Cast Iron Sediment Bucket

* Regularly furnished unless otherwise specified.