

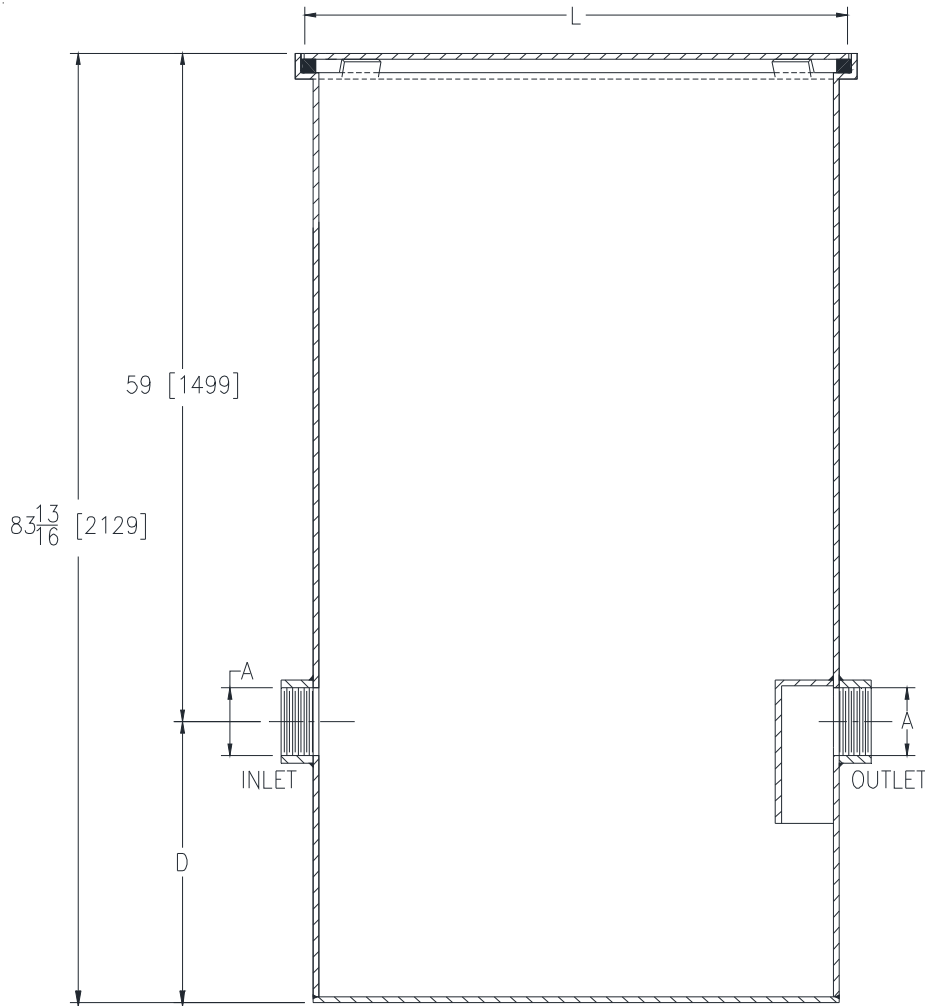


**Z1187-SI-142**  
**SIZE 17 SAND INTERCEPTOR**

**SPECIFICATION SHEET**

**TAG** \_\_\_\_\_

Dimensional Data (inches and [ mm ]) are Subject to Manufacturing Tolerances and Change Without Notice



Size	Flow GPM [LPM] (Max.)	Capacity Gal. [L] (Static)	Dimensions in Inches [mm]			
			A - Pipe Size	L	D	Width
17	17 [64]	41 [155]	4 [102]	18-3/16 [462]	24-13/16 [630]	22-13/16 [579]

**ENGINEERING SPECIFICATION: ZURN Z1187-SI-142**

Acid Resistant Coated interior and exterior fabricated steel sand interceptor with threaded inlet and outlet, complete with secured, gasketed, non-skid cover.

**OPTIONS** (Check/specify appropriate options)

**PREFIXES**

\_\_\_ Z Acid Resistant Coated Fabricated Steel\*

**SUFFIXES**

- \_\_\_ -E 6 [152] Integral Extension Assembly for Recessed Installation
- \_\_\_ -NH No-Hub Inlet and Outlet (Specify Size)
- \_\_\_ -VP Vandal Proof Screws

\* Regularly furnished unless otherwise specified.