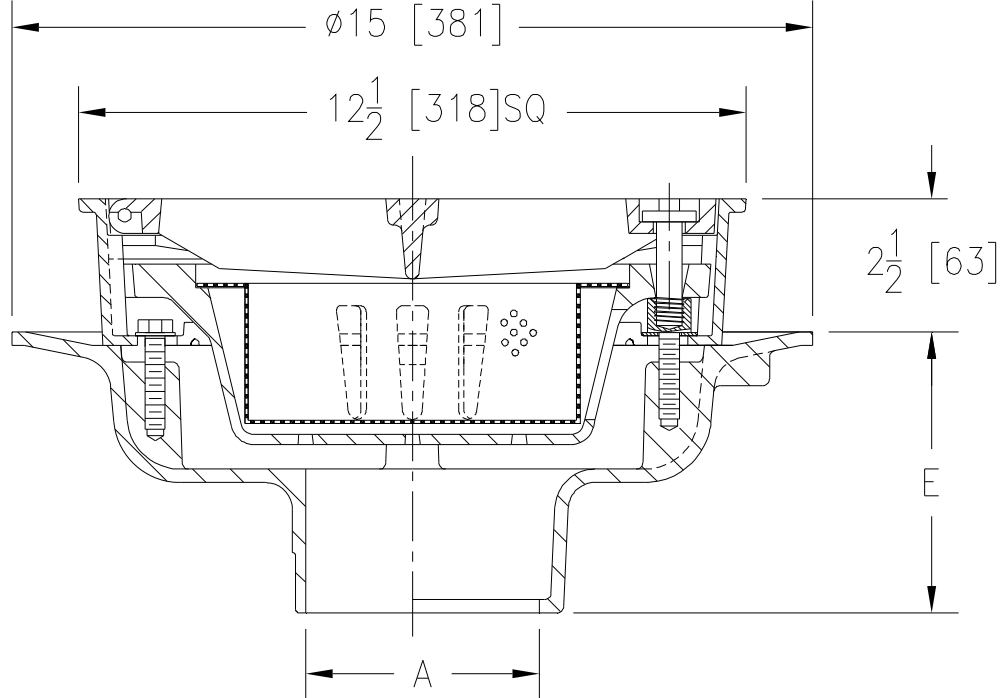




Z610-HL-SS

12-1/2 [318] HEAVY DUTY DRAIN WITH HINGED LOCKING GRATE AND SEDIMENT BUCKET WITH STAINLESS STEEL MESH LINER **SPECIFICATION SHEET**
TAG _____

Dimensional Data (inches and [mm]) are Subject to Manufacturing Tolerances and Change Without Notice



A- Pipe Size In. [mm]	Approx. Wt. Lbs. [kg]	Grate Open Area Sq. In. [cm ²]
2, 3, 4, 6 [51, 76, 102, 152]	54 [24]	42 [271]
8 [203]	56 [25]	

ENGINEERING SPECIFICATION: ZURN Z610-HL-SS
12-1/2" [318mm] Square top drain, Dura-Coated cast iron body with bottom outlet, seepage pan, combination membrane flashing clamp and frame for heavy duty cast iron hinged locking grate, with suspended sediment bucket, and stainless steel mesh liner.

OPTIONS (Check/specify appropriate options)

PIPE SIZE	(Specify size/type)	OUTLET	'E' BODY HT. DIM.
3, 4, 6 [76, 102, 152]	___	IC Inside Caulk	5-1/4 [133]
3, 4, 6 [76, 102, 152]	___	IG Inside Caulk	5-1/4 [133]
2, 3, 4, 6, [51, 76, 102, 152]	___	IP Threaded	3-3/4 [95]
2, 3, 4, 6, 8 [51, 76, 102, 152, 203]	___	NH No-Hub	5-1/4 [133]
2, 3, 4 [51, 76, 102]	___	NL Neo-Loc	4-5/8 [117]

PREFIXES

- ___ Z- D.C.C.I. Body and Top*
- ___ ZB- D.C.C.I Body w/Polished Bronze Top (Add 3/16 [5] to 2-1/2 [64] Dim. and 3/4 [19] to 12-1/2 [318] Dim.)
- ___ ZN- D.C.C.I Body w/Polished Nickel Bronze Top (Add 3/16 [5] to 2-1/2 [64] Dim. and 3/4 [19] to 12-1/2 [318] Dim.)

SUFFIXES

- ___ -AR Acid Resistant Epoxy Coated Finish
- ___ -DX Dex-o-tex Flange (ZB, ZN Only)
- ___ -F 2 [51] Extension
- ___ -G Galvanized Cast Iron
- ___ -LY Less Sediment Bucket
- ___ -P Trap Primer Connection
- ___ -S Secondary Strainer
- ___ -TC Neo-Loc Test Cap Gasket (2, 3, 4 51, 76, 102] NL Bottom Outlet Only)
- ___ -TS Top Secured with Slotted Screws
- ___ -V Backwater Valve (See Z-1099)
- ___ -YA Aluminum Sediment Bucket
- ___ -90 90° Threaded Side Outlet Body

* Regularly furnished unless otherwise specified.