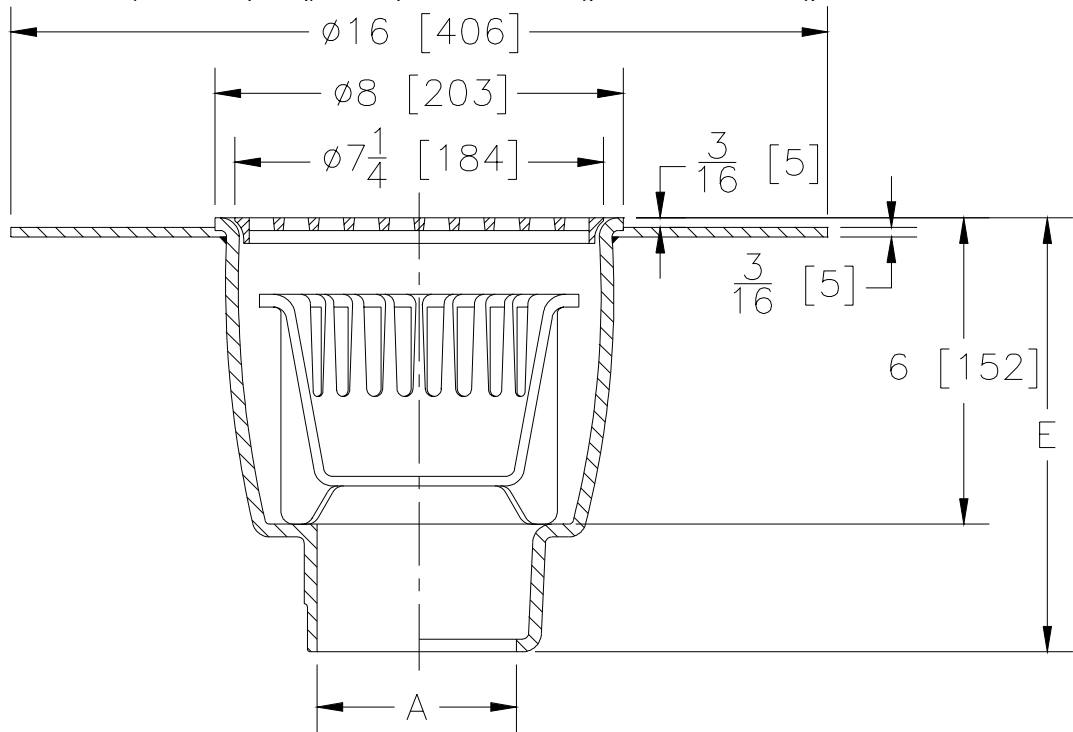




**Z-1960-75 8"[203] DIAMETER A.R.E. SANI-FLOOR RECEPTOR 6"[154] SUMP DEPTH**

**TAG** \_\_\_\_\_

Dimensional Data (inches and [ mm ]) are Subject to Manufacturing Tolerances and Change Without Notice



A- Pipe Size In.	Approx. Wt. Lbs	Grate Open Area Sq. In.
2-3-4[52-76-102]	25[111]	15[97]

**ENGINEERING SPECIFICATION:** ZURN Z-1960-75 Sani-Floor Receptor 8" Dia. x 6"[203 x 154] deep cast iron body with Dex-o-tex flange and round square holed light duty grate, with white acid resisting porcelain enamel interior and top, complete with aluminum bucket.

**OPTIONS** (Check/specify appropriate options)

**OUTLET** (Specify type)

- \_\_\_ **IC** Inside Caulk
- \_\_\_ **NH** No-Hub

**PIPE SIZE** (Specify size)

- \_\_\_ 2", 3", 4"[52, 76, 102]
- \_\_\_ 2", 3", 4"[52, 76, 102]

**'E' BODY HT. DIMENSION**

- | Z           | ZN      |
|-------------|---------|
| 8-1/2"[216] | 9"[229] |
| 8-1/2"[216] | 9"[229] |

**PREFIXES**

- \_\_\_ **Z-** Cast Iron Body with White A.R.E. Interior\*
- \_\_\_ **ZN-** Cast Iron Body with White A.R.E. Interior, 8-1/2"[216] Round N.B. Frame and Full Grate with 1/4"[6] Square Openings

**SUFFIXES**

- |                |  |                |   |
|----------------|--|----------------|---|
| ___ <b>-K</b>  | Seepage Flange w/Seepage Holes                                 | ___ <b>-16</b> | 1/2 Solid Loose Set Cover                         |
| ___ <b>-KC</b> | Seepage Flange w/Seepage Holes W/Clamp Collar                  | ___ <b>-17</b> | 3/4" Solid Loose Set Cover                        |
| ___ <b>-LD</b> | (Less) Bottom Dome Strainer                                    | ___ <b>-18</b> | Solid Loose Set Cover w/2"[52] Sq. Center Opening |
| ___ <b>-P</b>  | 1/2"[13] Trap Primer Connection (See Z-1023)                   | ___ <b>-25</b> | White A.R.E. Bucket                               |
| ___ <b>-T</b>  | Square Frame and Round Grate w/1/4" Sq. Openings               | ___ <b>-31</b> | Stl. Steel Mesh Liner for Bucket                  |
| ___ <b>-1</b>  | (Less) Grate   | ___ <b>-33</b> | White A.R.E. Anti-Splash Bottom Dome Strainer     |
| ___ <b>-2</b>  | 1/2 Grate  |                |   |
| ___ <b>-3</b>  | 3/4 Grate  |                |   |
| ___ <b>-4</b>  | Full Grate w/2"[52] Sq. Center Opening                         |                |   |
| ___ <b>-5</b>  | Grate w/4"[102] Dia. x 3-3/4"[95] High Funnel                  |                |   |
| ___ <b>-6</b>  | Grate w/6"[154] Dia. x 6"[154] High Funnel                     |                |   |
| ___ <b>-7</b>  | Grate w/6-3/4"[171] x 3"[76] x 1"[25] High Oval Funnel         |                |   |
| ___ <b>-8</b>  | Grate w/8-7/8"[225] x 3-5/8"[92] x 3-3/4"[95] High Oval Funnel |                |   |
| ___ <b>-11</b> | Vandal Proof Secured Grate                                     |                |   |
| ___ <b>-12</b> | Depressed Aluminum Grate                                       |                |   |
| ___ <b>-15</b> | Solid Loose Set Cover  |                |   |

\*REGULARLY FURNISHED UNLESS OTHERWISE SPECIFIED

<b>REV.</b> _____	<b>DATE:</b> 8/19/91	<b>C.N. NO.</b> 67768
<b>DWG. NO.</b> P-13729	<b>PRODUCT NO.</b> Z-1960-75	