



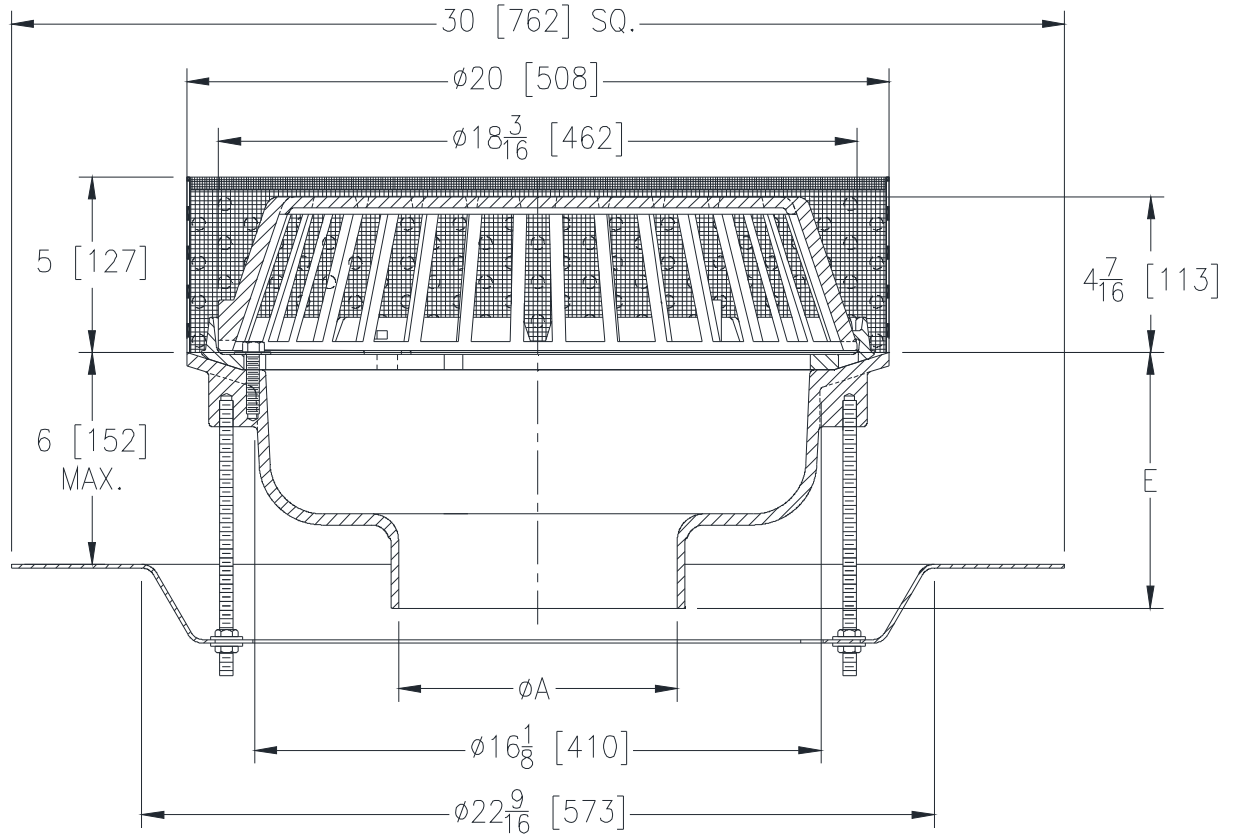
Z101-91

20 [508] DIAMETER MAIN ROOF DRAIN
W/ TOP-SET® ADJUSTABLE EXTENSION ASSEMBLY,
PERFORATED GRAVEL GUARD, & STAINLESS MESH

SPECIFICATION SHEET

TAG _____

Dimensional Data (inches and [mm]) are Subject to Manufacturing Tolerances and Change Without Notice



A Pipe Size In.	Approx. Wt. Lbs. [kg]	Dome Open Area Sq. In. [cm ²]
8 [203]	77 [35]	216 [1394]
10 [245]	78 [35]	
12 [305]	79 [36]	

ENGINEERING SPECIFICATION: ZURN Z101-91

20 [508] Diameter roof drain. Dura-Coated cast iron body with combination membrane flashing clamp/gravel guard, top-set® adjustable extension assembly, low silhouette dome, stainless steel perforated gravel guard, and stainless steel mesh screen over dome.

PIPE SIZE

8-10-12 [203-254-305]

(Specify size) **OUTLET**

____ NH No-Hub

'E' BODY HT. DIM.

7-5/16 [185]

PREFIXES

____ Z D.C.C.I. Body with Cast Iron Dome*

SUFFIXES

____ -AR Acid Resistant Epoxy Coated
 ____ -E Static Extension 1 [25] thru 4 [102] (Specify Height)
 ____ -G Galvanized Cast Iron
 ____ -W2 2 [51] Internal Water Dam
 ____ -W3 3 [76] Internal Water Dam
 ____ -W4 4 [102] Internal Water Dam
 ____ -89 2 [51] High External Water Dam

* Regularly furnished unless otherwise specified.