



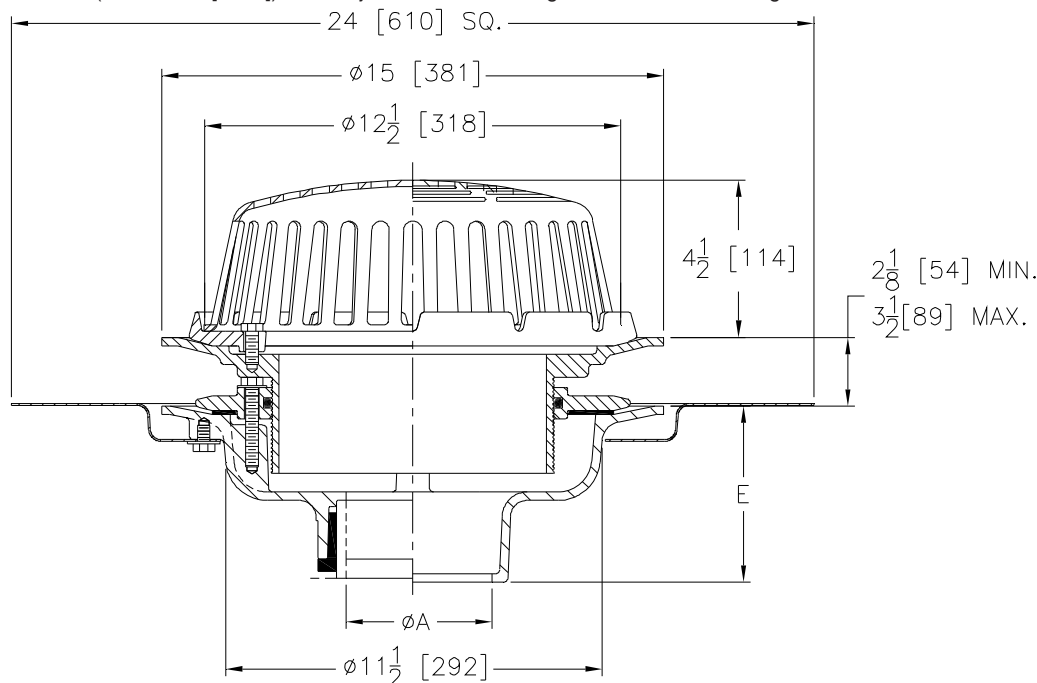
Z100-DP-EA

15 [381] DIAMETER MAIN ROOF DRAIN W/ TOP-SET
DECK PLATE AND ADJUSTABLE EXTENSION

SPECIFICATION SHEET

TAG _____

Dimensional Data (inches and [mm]) are Subject to Manufacturing Tolerances and Change Without Notice



A Pipe Size in [mm]	Approx Wt. lbs [kg]	Dome Open Area in ² [cm ²]
2,3,4 [51,76,102]	26 [12]	103 [665]
6 [152]	27 [12]	
8 [203]	28 [13]	

ENGINEERING SPECIFICATION: ZURN Z100-DP-EA

15" [381mm] Diameter roof drain. Dura-Coated cast iron body with combination membrane flashing clamp/gravel guard, Top-Set® deck plate, adjustable extension, secondary clamping collar with o-ring and low silhouette Poly-Dome strainer.

OPTIONS (Check/specify appropriate options)

PIPE SIZE

3,4,6 [76,102,152]
2,3,4,6, 8 [51,76,102,152,203]
2,3,4,6, 8 [51,76,102,152,203]
2,3,4 [51,76,102]
6 [152]

(Specify size/type) OUTLET

_____ IC Inside Caulk
_____ IP Threaded
_____ NH No-Hub
_____ NL Neo-Loc
_____ NL Neo-Loc

E BODY HT. DIM.

5-1/4 [133]
3-3/4 [95]
5-1/4 [133]
4-5/8 [117]
5-7/16 [138]

PREFIXES

_____ Z D.C.C.I. Body with Poly-Dome*
_____ ZA D.C.C.I. Body with Aluminum Dome
_____ ZC D.C.C.I. Body with Cast Iron Dome
_____ ZRB D.C.C.I. Body with Plain Bronze Dome

SUFFIXES

_____ -AR Acid Resistant Epoxy Coated	_____ -TC Neo-Loc Test Cap Gasket (2,3,4 [51,76,102] NL Bottom Outlet Only)
_____ -AW 3/4 [19] to 4 [102] Adjustable Water Level Regulator (Specify Height) (ZC Only)	_____ -VP Vandal Proof Secured Top
_____ -E Static Extension 1 [25] thru 4 [102] (Specify Ht.)	_____ -W2 2 [51] Internal Water Dam
_____ -FG Flush Grate (Replaces Dome Strainer)	_____ -W3 3 [76] Internal Water Dam
_____ -G Galvanized Cast Iron	_____ -W4 4 [102] Internal Water Dam
_____ -HD 6-3/4 [171] High Aluminum Dome (148 sq. in. [955 cm ²] open area)	_____ -84 Stainless Steel Perforated Gravel Guard
_____ -SC Secondary Clamping Collar	_____ -85 Stainless Steel Perforated Extension
_____ -SS Stainless Mesh Screen Over Dome	_____ -89 2 [51] High External Water Dam
_____ -ST Dome w/ Solid Top (ZA and ZC Only)	_____ -90 90° Threaded Side Outlet Body

* Regularly furnished unless otherwise specified.