



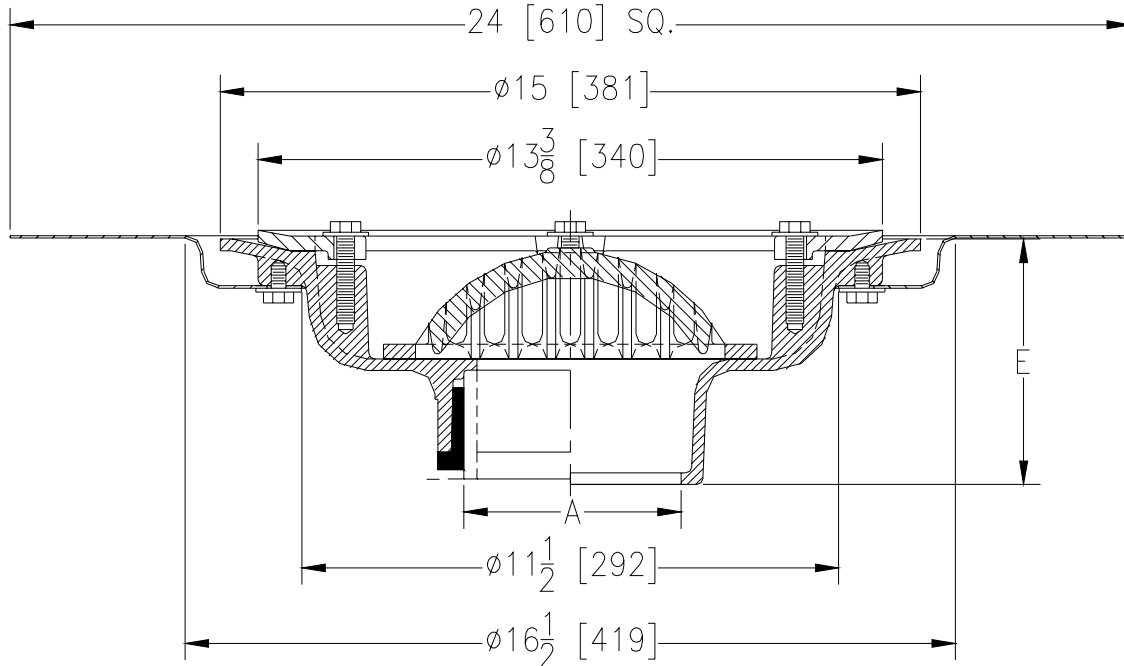
# Z108-77

SPECIFICATION SHEET

## 15 [381] DIAMETER DECK RECEPTOR W/TOP-SET® DECK PLATE

TAG \_\_\_\_\_

Dimensional Data (inches and [ mm ]) are Subject to Manufacturing Tolerances and Change Without Notice



A-Pipe Size Inches	Approx. Wt. Lbs. [kg]
2-3-4 [51-76-102]	41 [19]
5-6 [127 - 152]	39 [18]
8 [203]	42 [19]

**ENGINEERING SPECIFICATION: ZURN Z108-77**

15 [381] Diameter roof drain, Dura-Coated cast iron body with flat membrane flashing clamp, top-set® deck plate, and internal bottom dome strainer.

**OPTIONS** (Check/specify appropriate options)

**PIPE SIZE**

- 2 thru 6, 8 [51 thru 152, 203]
- 2 thru 6, 8 [51 thru 152, 203]
- 2 thru 6, 8 [51 thru 152, 203]
- 2 thru 4 [51 thru 102]

(Specify size/type) **OUTLET**

- \_\_\_\_\_ IC Inside Caulk
- \_\_\_\_\_ IP Threaded
- \_\_\_\_\_ NH No-Hub
- \_\_\_\_\_ NL Neo-Loc

**'E' BODY HT. DIM.**

- 5 1/4 [133]
- 3 3/4 [95]
- 5 1/4 [133]
- 4 5/8 [117]

**PREFIXES**

- \_\_\_\_\_ Z D.C.C.I. Body with Collar\*

**SUFFIXES**

- \_\_\_\_\_ -AR Acid Resistant Epoxy Coated Finish
- \_\_\_\_\_ -DB Deep Sump Body
- \_\_\_\_\_ -DR Top-Set Drain Riser
- \_\_\_\_\_ -E Static Extension 1 [25] thru 4 [102] (Specify Ht.)
- \_\_\_\_\_ -EA Adjustable Extension Assembly  
1 3/4 [44] thru 3 1/2 [89]
- \_\_\_\_\_ -G Galvanized Cast Iron
- \_\_\_\_\_ -TC Neo-Loc Test Cap Gasket  
(2 [51] - 4 [102] NL Bottom Outlet Only)
- \_\_\_\_\_ -90 90° Threaded Side Outlet Body  
(2 thru 6 [51 thru 152])

REV. \_\_\_\_\_ DATE: 3/2/05 C.N. NO. 93050

DWG. NO. P-15130 PRODUCT NO. Z108-77

\*REGULARLY FURNISHED UNLESS OTHERWISE SPECIFIED