



Z1800-8B-76

8 [203] DIAMETER ROUND INDUSTRIAL FLOOR DRAIN W/ 6 [152] OUTLET

SPECIFICATION SHEET

TAG _____

Dimensional Data (inches and [mm]) are Subject to Manufacturing Tolerances and Change Without Notice

ENGINEERING SPECIFICATION: ZURN Z1800-8B-76

8" [203mm] Diameter x 6" [152mm] deep, 18 gage, all type 304 (CF8) stainless steel round industrial floor drain with loose set anti-tilt heavy-duty perimeter drainage cover, reinforced top frame with loose set anti-tilt heavy-duty perimeter drainage cover, reinforced top frame, perforated removable sediment bucket with lift handle, 6" [152mm] no-hub outlet, and pre-pour stabilizing anchor tabs.

| Approx. Wt. Lbs. [kg] | Grate Open Area Sq. In. [cm ²] |
|-----------------------|--------------------------------------------|
| 7 [3] | 6.1 [39] |

Options (Check/specify appropriate options)

Pipe Size (ØA) (Specify size/type) **Outlet**
 6 [152] _____ NH No-Hub

Prefixes

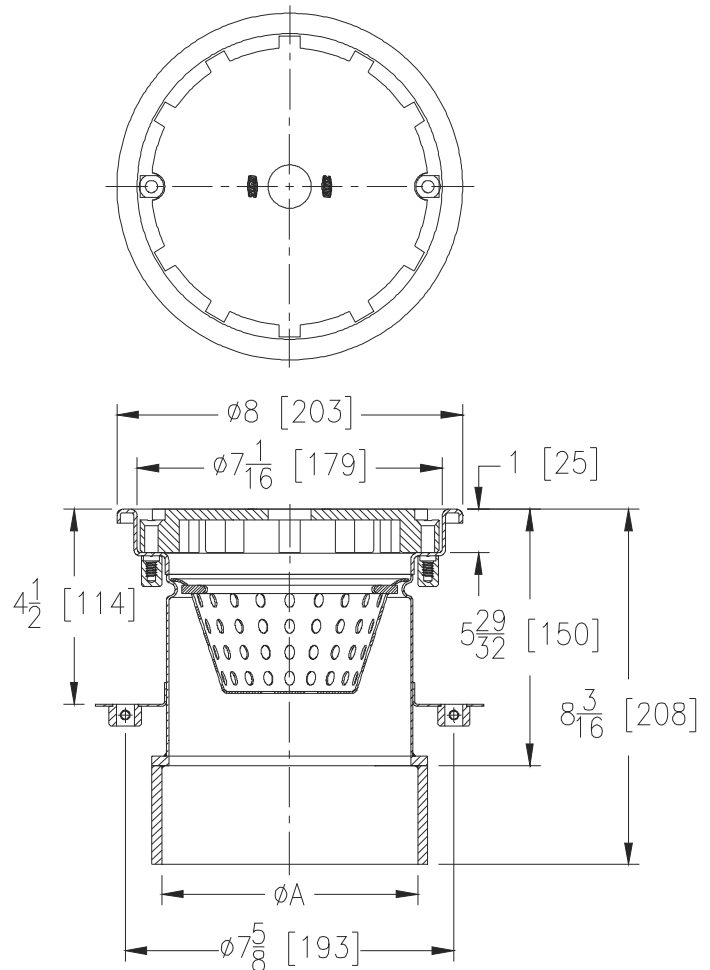
- ___ Z Type 304 (CF8) Stainless Steel*
- ___ ZM Type 316 (CF8M) Stainless Steel

Suffixes

- ___ -B Bell Trap/Solid Sediment Bucket
- ___ -KC Anchor Flange w/Seepage Holes and Clamp Collar
- ___ -P ø1/2 [13] Trap Primer Connection
- ___ -SA Stabilizer Assembly (Z1035)
- ___ -SQ Stabilizer Q-Deck (Z1035-Q)
- ___ -TS Top Secured Grate
- ___ -VH Vacuum Handle (-GCH Cover Only)
- ___ -2PT 2 [51] Stainless Steel P-Trap
- ___ -3PT 3 [76] Stainless Steel P-Trap
- ___ -4PT 4 [102] Stainless Steel P-Trap

Grate Options

- ___ -GCH Heavy-Duty Gas Tight Solid Cover
- ___ -PCX Extra-Heavy-Duty Perimeter Drainage Cover (6.1 Sq. In. [39 cm²] Open Area)
- ___ -PGM Medium-Duty Perforated Grate (9.9 Sq. In. [64 cm²] Open Area)
- ___ -SGH Heavy-Duty Slotted Grate (11.2 Sq. In. [72 cm²] Open Area)
- ___ -SGM Medium-Duty Slotted Grate (11.2 Sq. In. [72 cm²] Open Area)



* Regularly furnished unless otherwise specified.