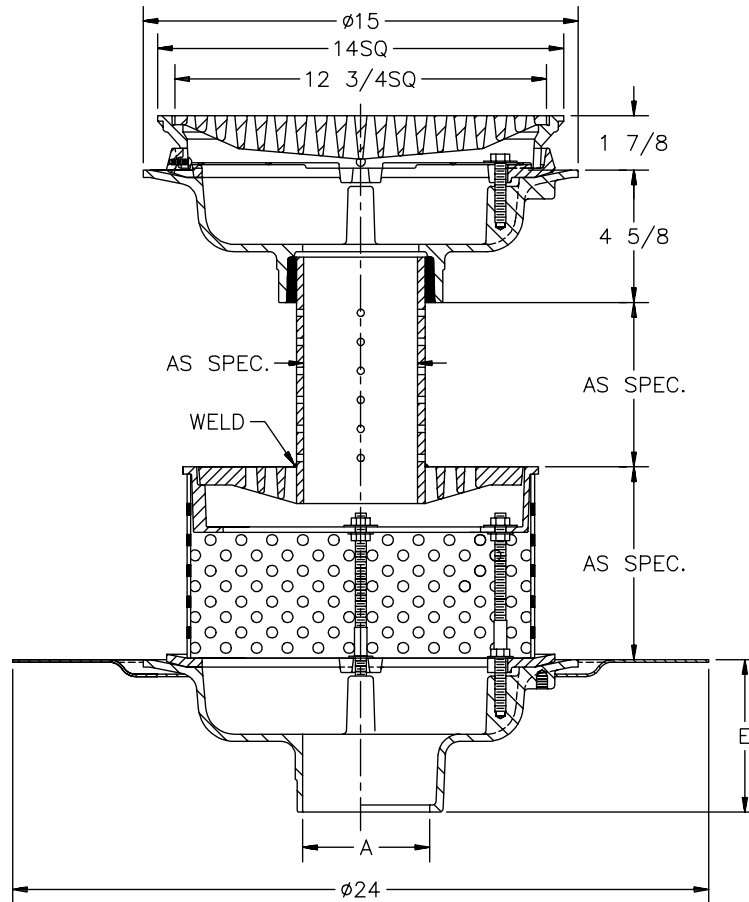




# Z-150-99 14" PROM-DECK DRAIN WITH HEEL PROOF GRATE

TAG \_\_\_\_\_

Dimensions Subject to Manufacturing Tolerances



A- Pipe Size In.	Approx. Wt. Lbs.	Grate Open Area Sq. In.
2-3-4	108	44
5-6		
8	103	
10		

**ENGINEERING SPECIFICATION:** ZURN Z-150-99 Top Prom-Deck drain, Dura-Coated cast iron upper and lower bodies, with bottom outlet, lower body with roof sump receiver, flat clamping collar, stainless steel perforated extension, combination membrane flashing clamp/gravel guard, perforated extension. Upper body with clamping collar, promenade frame, and heavy duty heel proof grate.

**OPTIONS** (Check/specify appropriate options)

**OUTLET** (Specify type)

- \_\_\_\_\_ **IC** Inside Caulk
- \_\_\_\_\_ **IG** Inside Caulk w/Sealtrol Gskt.
- \_\_\_\_\_ **IP** Threaded
- \_\_\_\_\_ **NH** No-Hub
- \_\_\_\_\_ **NL** Neo-Loc

**PIPE SIZE** (Specify size)

- \_\_\_\_\_ 2" thru 6", 8", 10"
- \_\_\_\_\_ 2" thru 4", 6"
- \_\_\_\_\_ 2" thru 6", 8", 10"
- \_\_\_\_\_ 2" thru 6", 8", 10"
- \_\_\_\_\_ 2" thru 4"

**'E' BODY HT. DIMENSION**

- 5-1/4"
- 5-1/4"
- 3-3/4"
- 5-1/4"
- 4-5/8"

**PREFIXES**

- \_\_\_\_\_ **Z-** D.C.C.I. Body with Grate\*
- \_\_\_\_\_ **ZB-** D.C.C.I. Body with Polished Bronze Grate (Add 3/16 to 2" Dim. & 3/8" to 14" Dim.)
- \_\_\_\_\_ **ZRB-** D.C.C.I. Body with Nickel Bronze Grate (Add 3/16 to 2" Dim. & 3/8" to 14" Dim.)

**SUFFIXES**

- \_\_\_\_\_ **-AC** Angular Underdeck Clamp
- \_\_\_\_\_ **-C** Underdeck Clamp
- \_\_\_\_\_ **-G** Galvanized Cast Iron
- \_\_\_\_\_ **-VP** Vandal Proof Secured Top
- \_\_\_\_\_ **-XJ** Vertical Expansion Joint (See Z-190)

\*REGULARLY FURNISHED UNLESS OTHERWISE SPECIFIED

REV. _____	DATE: 11/15/93	C.N. NO. 69395
DWG. NO. P-13894	PRODUCT NO. Z-150-99	

ZURN INDUSTRIES, INC. ♦ SPECIFICATION DRAINAGE OPERATION ♦ 1801 Pittsburgh Ave. ♦ Erie, PA 16514

Phone: 814/455-0921 ♦ Fax: 814/454-7929 ♦ World Wide Web: www.zurn.com

In Canada: ZURN INDUSTRIES LIMITED ♦ 3544 Nashua Drive ♦ Mississauga, Ontario L4V1L2 ♦ Phone: 905/405-8272 Fax: 905/405-1292