



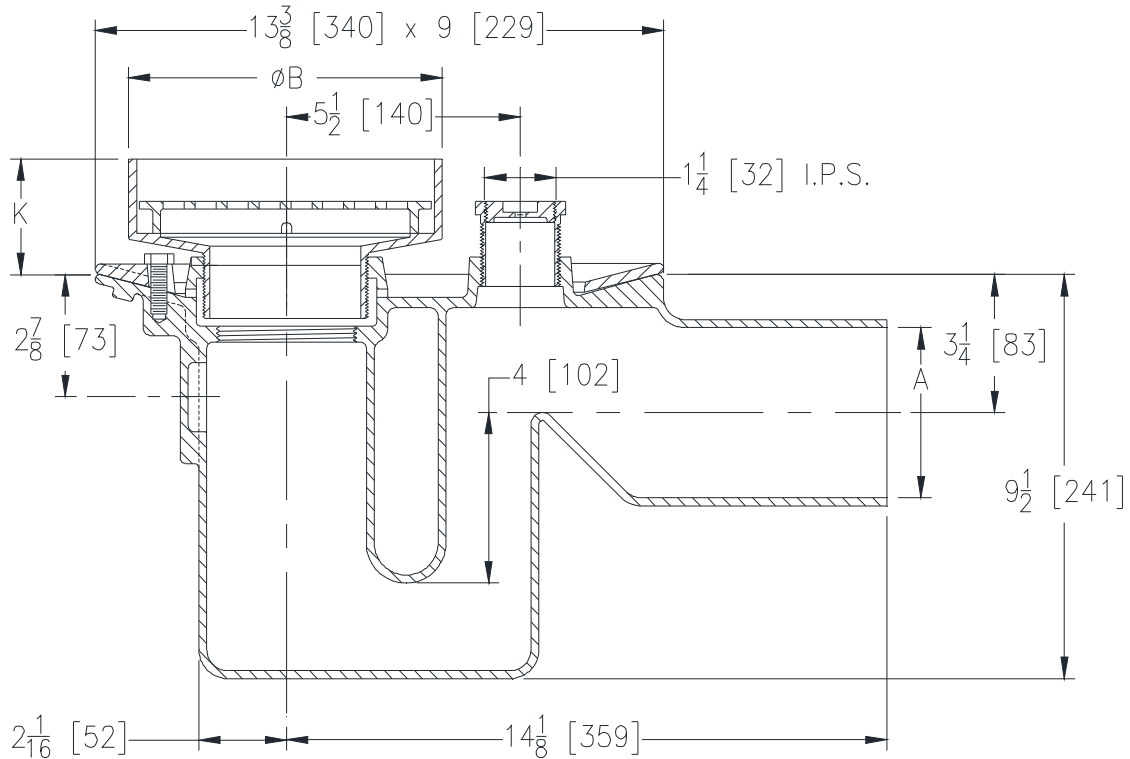
Z456I

DEEP SEAL TRAP DRAIN W/ "TYPE I" STRAINER & FLOOR CLEANOUT

SPECIFICATION SHEET

TAG _____

Dimensional Data (inches and [mm]) are Subject to Manufacturing Tolerances and Change Without Notice



Dimensions In Inches [mm]				Approx. Wt. Lbs. [kg]	Strainer Open Area Sq. In. [cm ²]
A Pipe Size	B Strainer Dia.	K			
		Min.	Max.		
2, 3, 4 [51, 76, 102]	5 [127]	2 [51]	3-1/4 [83]	41 [19]	8 [52]
2, 3, 4 [51, 76, 102]	7 [178]	2-3/4 [70]	3-7/8 [98]	45 [20]	13 [84]

ENGINEERING SPECIFICATION:

ZURNZN456I

Floor and shower drain, Dura-Coated cast iron body deep seal integral trap with clamp collar, seepage pan, floor level cleanout and adjustable "Type I" polished, nickel bronze strainer.

OPTIONS (Check/specify appropriate options)

PIPE SIZE

2, 3, 4 [51, 76, 102]

(Specify size) **OUTLET**

____ NH No-Hub

PREFIXES

____ ZN D.C.C.I. Body Assembly w/ Polished Nickel Bronze Top*

SUFFIXES

- ____ -A Acid Resisting Epoxy Coated Cast Iron
- ____ -FC Flush Cover for Plug
- ____ -G Galvanized Cast Iron
- ____ -P Trap Primer Connection (Specify 1/2 [13] or 3/4 [19])
- ____ -PC Protective Cover
- ____ -V Backwater Valve (Ball Float Type)
- ____ -VP Vandal-Proof Secured Top
- ____ -Y Sediment Bucket

* Regularly furnished unless otherwise specified.