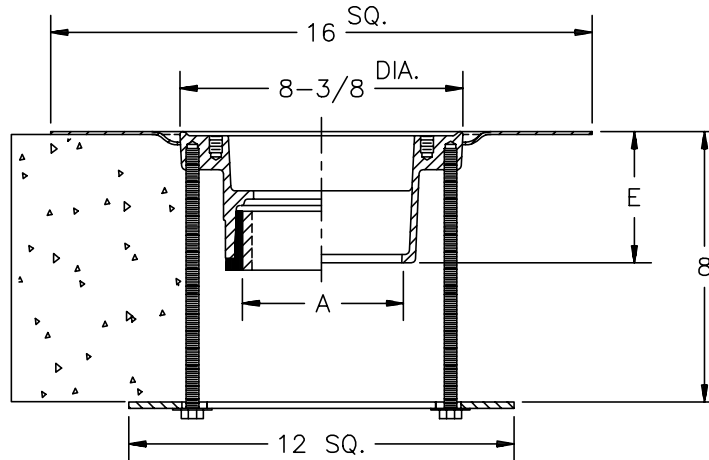




# 8" DIAMETER DRAIN

# TAG

Dimensions Subject to Manufacturing Tolerances



**ENGINEERING SPECIFICATION:** ZURN Z-125-91 8" Diameter drain. Dura-Coated cast iron body, roof sump receiver, and underdeck clamp.

**OPTIONS** (Check/specify appropriate options)

**OUTLET** (Specify type)

**PIPE SIZE**

(Specify size)

**'E' BODY HT. DIMENSION**

- \_\_\_ **IC** Inside Caulk
- \_\_\_ **IP** Threaded
- \_\_\_ **NH** No-Hub
- \_\_\_ **NL** Neo-Loc
- \_\_\_ **NL** Neo-Loc

- \_\_\_ 2" thru 4"
- \_\_\_ 2" thru 4"
- \_\_\_ 2" thru 4"
- \_\_\_ 2" thru 4"
- \_\_\_ 2" thru 4"

- 5-1/4"
- 3-3/4"
- 5-1/4"
- 5-1/2"
- 4-1/2"

\*REGULARLY FURNISHED UNLESS OTHERWISE SPECIFIED

REV. _____	DATE: 10/1/91	C.N. NO. 67837
DRAWING NO. P-13644	PRODUCT NO. Z-125-91	

ZURN INDUSTRIES, INC. ♦ SPECIFICATION DRAINAGE OPERATION ♦ 1801 Pittsburgh Ave. ♦ Erie, PA 16514

Phone: 814/455-0921 ♦ Fax: 814/454-7929 ♦ World Wide Web: www.zurn.com

In Canada: ZURN INDUSTRIES LIMITED ♦ 3544 Nashua Drive ♦ Mississauga, Ontario L4V1L2 ♦ Phone: 905/405-8272 Fax: 905/405-1292