

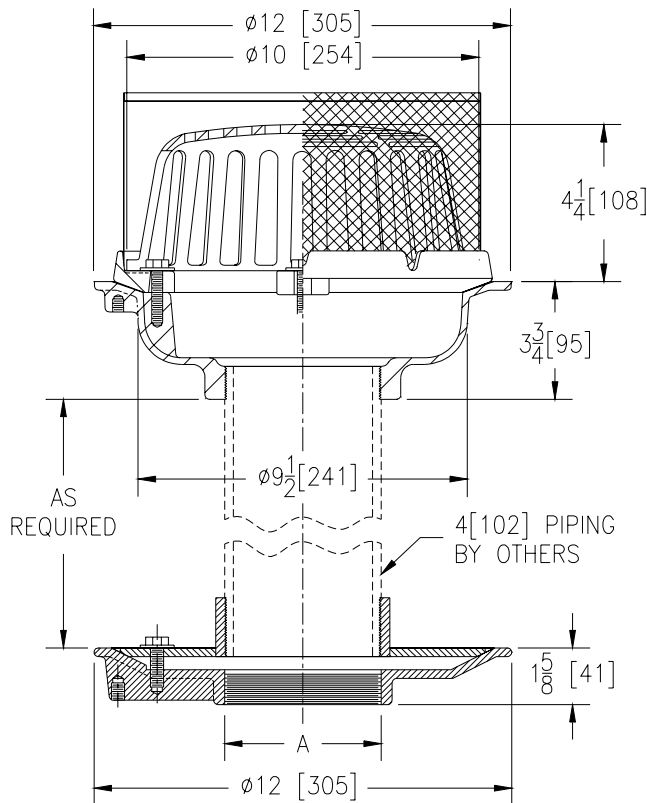


Z-111-78
12" DIAMETER ROOF DRAIN
FOR METAL DECKS WITH TOP
DOME TYPE PLANTING AREA DRAIN

SPECIFICATION SHEET

TAG _____

Dimensional Data (inches and [mm]) are Subject to Manufacturing Tolerances and Change Without Notice



A- Pipe Size In.	Approx. Wt. Lbs. [kg]	Dome Open Area Sq. In. [cm ²]
3-4 [75-100]	45 [20]	78 [503]
6 [150]	47 [21]	

ENGINEERING SPECIFICATION: ZURN Z-111-78
 12 [305] Diameter Flat Deck roof drain for metal decks. Dura-Coated cast iron upper and lower bodies with combination membrane flashing clamp/ gravel guard, secondary clamp, and low silhouette dome and stainless steel mesh screen over dome.

OPTIONS (Check/specify appropriate options)

PIPE SIZE	(Specify size/type)	OUTLET	E BODY HT. DIM.
3,4 [75,100]	_____	IP Threaded	1 5/8 [41]
6 [150]	_____	IP Threaded	1 7/8 [48]

PREFIXES

- _____ Z- D.C.C.I. Body, Clamping Collar, and Dome*
- _____ ZB- D.C.C.I. Body, Clamping Collar, and Bronze Dome

SUFFIXES

- _____ -AR Acid Resistant Epoxy Coated
- _____ -C Underdeck Clamp
- _____ -G Galvanized Cast Iron
- _____ -R Roof Sump Receiver
- _____ -VP Vandal Proof Secured Top
- _____ -XJ Vertical Expansion Joint (See Z-190)

*REGULARLY FURNISHED UNLESS OTHERWISE SPECIFIED

REV.	DATE: 5/22/00	C.N. NO. 85215
DWG. NO. P-14784 PRODUCT NO. Z-111-78		