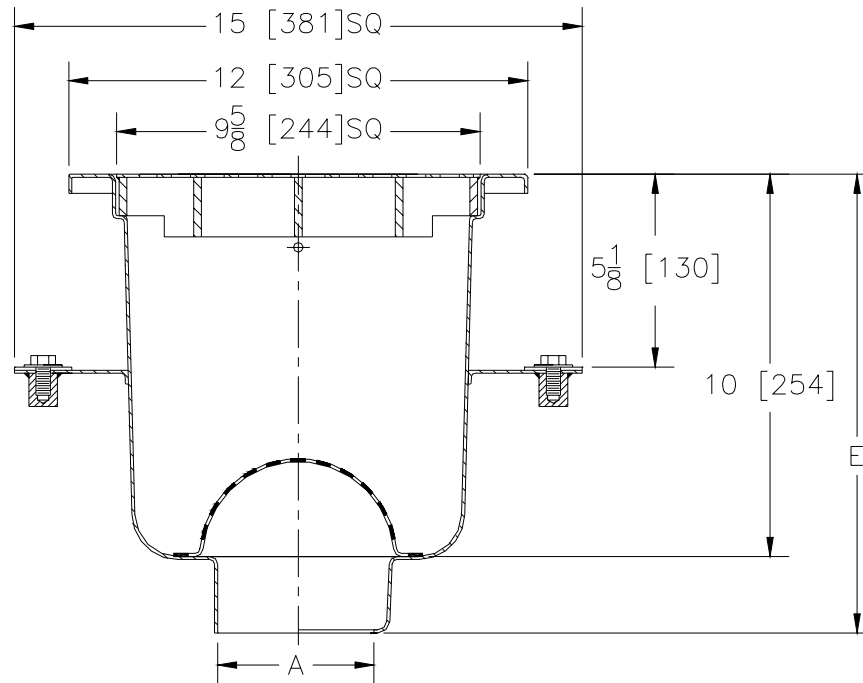




Z-1752-113
12 x 12 SANI-FLOR RECEPTOR
10 Sump Depth

TAG _____

Dimensional Data (inches and [mm]) are Subject to Manufacturing Tolerances and Change Without Notice



A Pipe Size In.	Approx. Wt. Lbs.	Grate Open Area Sq. In.
2-3-4	22	23

ENGINEERING SPECIFICATION: ZURN Z-1752-113 12x12x10 deep, 14 gage, All Type 304 (CF8) Stainless Steel light duty Sani-Flor receptor with seepage pan with clamp collar and weep holes and non-tilt, loose set heavy duty grate with 1/2 square openings and anti-splash interior dome strainer.

OPTIONS (Check/specify appropriate options)

PIPE SIZE

- 2 thru 4
- 2
- 3
- 4
- 2 thru 4
- 2 thru 4

(Specify size/type) **OUTLET**

- ___ IC Inside Caulk
- ___ IP Threaded
- ___ IP Threaded
- ___ IP Threaded
- ___ NH No-Hub
- ___ NL Neo-Loc

'E' BODY HT. DIM.

- 12 9/16
- 11 5/16
- 11 9/16
- 12 1/16
- 12 1/16
- 11 3/16

PREFIXES

- ___ Z- Type 304 (CF8) Stainless Steel Body*
- ___ ZM- Type 316 (CF8M) Stainless Steel

SUFFIXES

- | | | | |
|---------|------------------------------------|---------|--|
| ___ -HD | Extra Heavy Duty Top Frame & Grate | ___ -8 | Grate w/8 3/8 x 3 5/8 x 3 3/4 High Oval Funnel |
| ___ -K | Seepage Pan | ___ -15 | Solid Cover |
| ___ -P | 1/2 Trap Primer Connection | ___ -16 | 1/2 Solid Cover |
| ___ -Y | Sediment Bucket | ___ -17 | 3/4 Solid Cover |
| ___ -YS | Suspended Sediment Bucket | ___ -18 | Solid Cover With 3" Square Center Opening |
| ___ -1 | (Less) Grate | | |
| ___ -2 | 1/2 Grate | | |
| ___ -3 | 3/4 Grate | | |
| ___ -4 | Full Grate With 3" Square Opening | | |
| ___ -5 | Grate w/4 dia. x 3 3/4 High Funnel | | |

*REGULARLY FURNISHED UNLESS OTHERWISE SPECIFIED

REV. **DATE: 4/15/99** **C.N. NO. 82429**

DWG. NO. P-14708 **PRODUCT NO. Z-1752-113**

ZURN INDUSTRIES, INC. ♦ SPECIFICATION DRAINAGE OPERATION ♦ 1801 Pittsburgh Ave. ♦ Erie, PA 16514

Phone: 814/455-0921 ♦ Fax: 814/454-7929 ♦ World Wide Web: www.zurn.com

In Canada: ZURN INDUSTRIES LIMITED ♦ 3544 Nashua Drive ♦ Mississauga, Ontario L4V1L2 ♦ Phone: 905/405-8272 Fax: 905/405-1292