



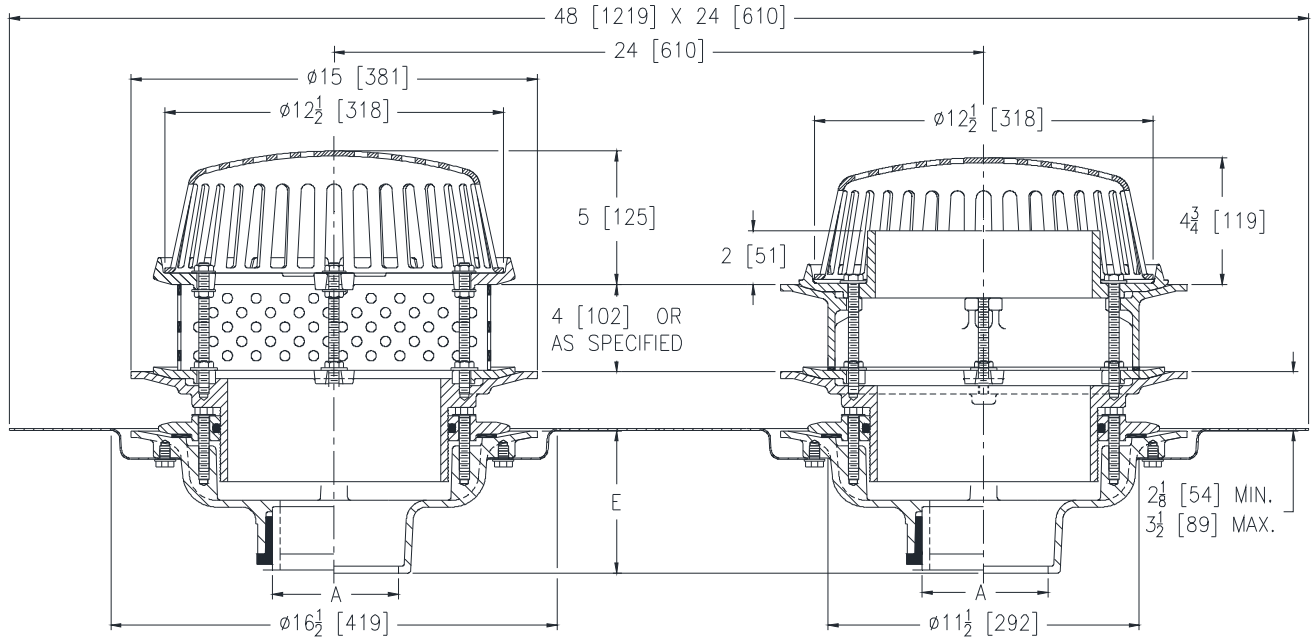
# Z163-EA-85

15 [381] DIAMETER COMBINATION MAIN ROOF AND OVERFLOW DRAIN W/ ADJUSTABLE EXTENSION, DOUBLE TOP-SET® DECK PLATE, LOW SILHOUETTE DOMES AND PERFORATED EXTENSION

SPECIFICATION SHEET

TAG \_\_\_\_\_

Dimensional Data (inches and [ mm ]) are Subject to Manufacturing Tolerances and Change Without Notice



A Pipe Size In [mm]	Approx. Wt. Lbs. [kg]	Dome Open Area Sq. In. [cm <sup>2</sup> ]
2,3,4 [51,76,102]	36 [16]	103 [665]
6 [152]	37 [17]	
8 [203]	38 [17]	

**ENGINEERING SPECIFICATION: ZURN Z163-EA-85**  
 15" [381mm] Diameter roof drain and overflow drain, Dura-Coated cast iron bodies with combination membrane flashing clamp/gravel guards, adjustable extension assemblies, double Top-Set® deck plate, perforated static extension, and low silhouette Poly-Domes.

**OPTIONS** (Check/specify appropriate options)

**PIPE SIZE**

- 3,4,6 [76,102,152]
- 2,3,4,6,8 [51,76,102,152,203]
- 2,3,4,6,8 [51,76,102,152,203]
- 2,3,4 [51,76,102]

(Specify size/type) **OUTLET**

- \_\_\_\_\_ IC Inside Caulk
- \_\_\_\_\_ IP Threaded
- \_\_\_\_\_ NH No-Hub
- \_\_\_\_\_ NL Neo-Loc

**E BODY HT. DIM.**

- 5-1/4 [133]
- 3-3/4 [95]
- 5-1/4 [133]
- 4-9/16 [116]

**PREFIXES**

- \_\_\_ Z D.C.C.I. Body with Poly-Dome\*
- \_\_\_ ZA D.C.C.I. Body with Aluminum Dome
- \_\_\_ ZC D.C.C.I. Body with Cast Iron Dome

**SUFFIXES**

- \_\_\_ -AR Acid Resistant Epoxy Coated Finish
- \_\_\_ -DE Deck Extension
- \_\_\_ -DR Top-Set® Drain Riser
- \_\_\_ -E Static Extension 1 thru 4 [25 thru 102] (Specify Ht.)
- \_\_\_ -G Galvanized Cast Iron
- \_\_\_ -GD Galvanized Cast Iron Dome
- \_\_\_ -HD 6-3/4 [171] High Aluminum Dome (148 Sq. In. [955 cm<sup>2</sup>] Open Area)(ZA Only)
- \_\_\_ -SS Stainless Steel Mesh Screen Over Dome
- \_\_\_ -TC Neo-Loc Test Cap Gasket (2,3,4 [51,76,102] NL Bottom Outlet Only)
- \_\_\_ -VP Vandal-Proof Secured Top
- \_\_\_ -W3 3 [76] Internal Water Dam
- \_\_\_ -W4 4 [102] Internal Water Dam
- \_\_\_ -XJ Vertical Expansion Joint (See Z190)
- \_\_\_ -84 Stainless Steel Perforated Gravel Guard
- \_\_\_ -89 2 [51] High External Water Dam (Replaces Internal Dam)

\* Regularly furnished unless otherwise specified.