



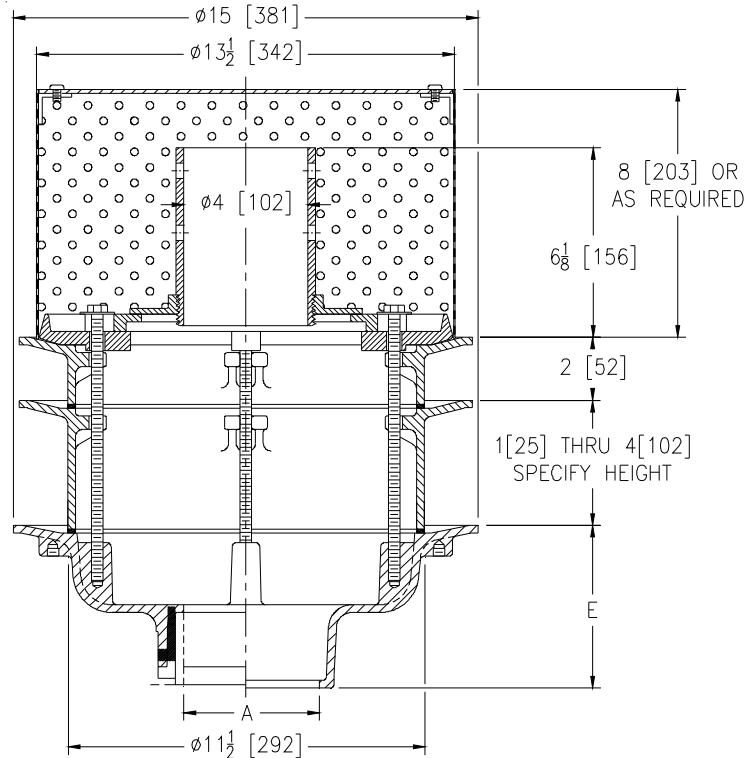
# Z100-251

## Ø15 [381] MAIN ROOF DRAIN W/ PERFORATED STANDPIPE, STAINLESS STEEL PERFORATED GRAVEL GUARD & STATIC EXTENSIONS

SPECIFICATION SHEET

TAG \_\_\_\_\_

Dimensional Data (inches and [mm]) are Subject to Manufacturing Tolerances and Change Without Notice



A Pipe Size In.	Approx. Wt. Lbs. [kg]
2,3,4 [51,76,102]	52 [24]
5,6 [127,152]	53 [24]
8 [203]	54 [24]

### ENGINEERING SPECIFICATION: ZURN Z100-251

15 [381] Diameter roof drain. Dura-Coated cast iron body with combination membrane flashing clamp/gravel guard, static extension, 2 [51] tall overflow static extension, 4 [102] standpipe and stainless steel perforated gravel guard with solid secured top.

### OPTIONS (Check/specify appropriate options)

#### PIPE SIZE

2 thru 6,8 [51 thru 152, 203]  
2 thru 6,8 [51 thru 152, 203]  
2 thru 6,8 [51 thru 152, 203]  
2,3,4 [51,76,102]  
6 [152]

#### (Specify size/type) OUTLET

\_\_\_\_\_ IC Inside Caulk  
\_\_\_\_\_ IP Threaded  
\_\_\_\_\_ NH No-Hub  
\_\_\_\_\_ NL Neo-Loc  
\_\_\_\_\_ NL Neo-Loc

#### E BODY HT. DIM.

5-1/4 [133]  
3-3/4 [95]  
5-1/4 [133]  
4-9/16 [116]  
5-7/16 [112]

#### PREFIXES

\_\_\_\_\_ Z D.C.C.I. Body

#### SUFFIXES

\_\_\_\_\_ -AC Angular Underdeck Clamp  
\_\_\_\_\_ -AR Acid Resistant Epoxy Coated  
\_\_\_\_\_ -C Underdeck Clamp  
\_\_\_\_\_ -DE Deck Extension  
\_\_\_\_\_ -DP Top-Set® Deck Plate (Replaces both the -C and -R)  
\_\_\_\_\_ -DR Top-Set® Drain Riser  
\_\_\_\_\_ -DX Dex-o-tex Flange  
\_\_\_\_\_ -EB Top-Set® Adjustable Extension Assembly  
\_\_\_\_\_ -G Galvanized Cast Iron

\_\_\_\_\_ -R Roof Sump Receiver  
\_\_\_\_\_ -SC Secondary Clamp Collar  
\_\_\_\_\_ -VP Vandal-Proof Secured Top  
\_\_\_\_\_ -90 90° Threaded Side Outlet Body (2 thru 6 [51 or 152])

\*REGULARLY FURNISHED UNLESS OTHERWISE SPECIFIED

REV.	DATE: 06/28/12	C.N. NO. 124510
DWG. NO. 310016	PRODUCT NO. Z100-251	

ZURN INDUSTRIES, LLC ♦ SPECIFICATION DRAINAGE OPERATION ♦ 1801 Pittsburgh Ave. ♦ Erie, PA 16514

Phone: 814/455-0921 ♦ Fax: 814/454-7929 ♦ World Wide Web: www.zurn.com

In Canada: ZURN INDUSTRIES LIMITED ♦ 3544 Nashua Drive ♦ Mississauga, Ontario L4V1L2 ♦ Phone: 905/405-8272 Fax: 905/405-1292