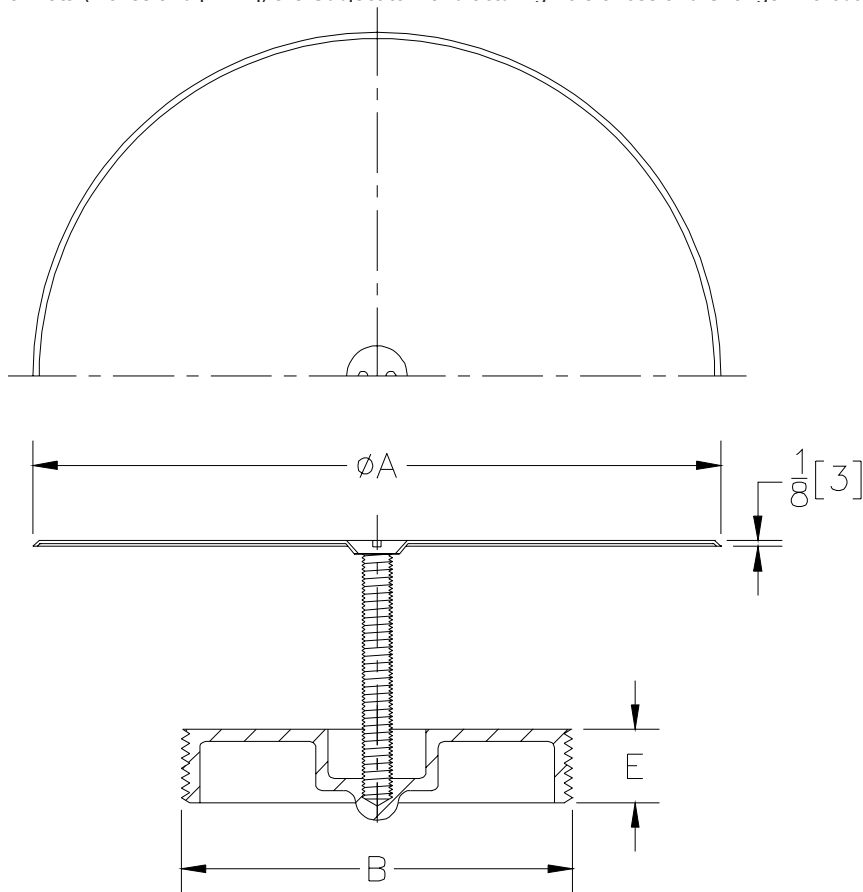




# Z-1469-75 ROUND ACCESS COVER

Dimensional Data (inches and [ mm ]) are Subject to Manufacturing Tolerances and Change Without Notice



Dimensions In Inches		Approx. Wt. Lbs.
B-Pipe Size	E	
1-1/4[32]	9/16[14]	1/2[.2]
1-1/2[38]	5/8[16]	
2[51]	1/2[13]	3/4[.3]
2-1/2[64]	3/4[19]	
3[76]		
3-1/2[89]		
4[102]		
5[127]	1-1/2[.7]	
6[152]		
8[203]		

A Cover Diameter	Nominal Pipe Size	Approx. Wt. Lbs.
5[127]	2-3-3-1/2[51-76-89]	1[.5]
7[3]	4-5[102-127]	2[.9]
9[4]	6[152]	3[76]
11[5]	8[203]	4[102]

**ENGINEERING SPECIFICATION:** ZURN Z-1469-75 Round stainless steel wall access cover complete with vandal proofsecuring screw and bronze counter-sunk cleanout plug.

**OPTIONS** (Check/specify appropriate options)

**PREFIXES**

\_\_\_\_\_ **ZARB-** Plain Bronze Plug with Stainless Steel Cover\*

**SUFFIXES**

\_\_\_\_\_ **-SL** Screws Longer Than 3-1/2"[89]

\*REGULARLY FURNISHED UNLESS OTHERWISE SPECIFIED

REV. _____	DATE: <u>7/12/94</u>	C.N. NO. <u>69884</u>
DWG. NO. <u>P-14001</u>	PRODUCT NO. <u>Z-1469-75</u>	