



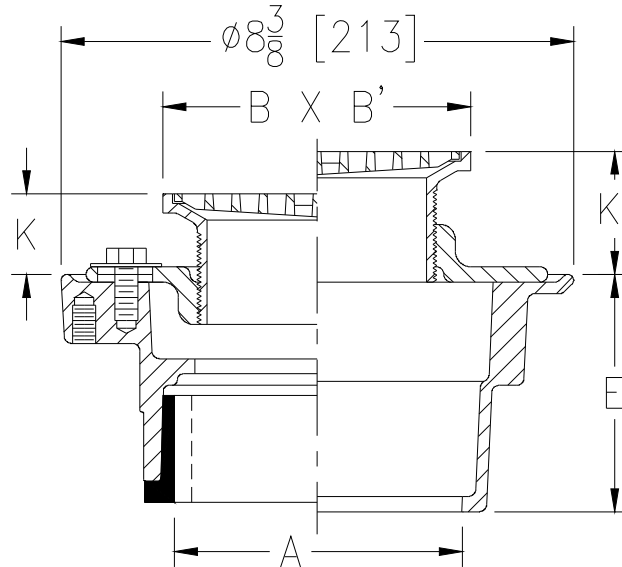
# Z415S-94

## BODY ASSEMBLY W/ EXTRA-HEAVY DUTY "TYPE S" STRAINER (U.S.A.)

SPECIFICATION SHEET

TAG \_\_\_\_\_

Dimensional Data (inches and [ mm ]) are Subject to Manufacturing Tolerances and Change Without Notice



Dimensions In Inches						Approx. Wt. Lbs. [kg]	Strainer Open Area Sq. In. [cm <sup>2</sup> ]
A - Pipe Size	B x B' Strainer Top Size	K		K'			
		Min.	Max.	Min.	Max.		
2-3 [51-76]	5 x 5 [127 x 127]	7/8 [22]	1 3/4 [44]	1 1/2 [38]	2 5/8 [67]	12 [5]	9 [58]

**ENGINEERING SPECIFICATION: ZURNZN415S-94**

Floor and shower drain, Dura-Coated cast iron body with bottom outlet, combination invertible membrane clamp and adjustable collar with seepage slots and extra-heavy-duty "TYPE S" polished nickel bronze square heel-proof strainer. **(U.S.A.)**

**OPTIONS** (Check/specify appropriate options)

**PIPE SIZE**

- 2, 3 [51, 76]
- 2, 3 [51, 76]
- 2 [51]
- 3 [76]
- 2, 3 [51, 76]
- 2, 3 [51, 76]

(Specify size/type) **OUTLET**

- \_\_\_\_\_ IC Inside Caulk
- \_\_\_\_\_ IG Inside Gasket
- \_\_\_\_\_ IP Threaded
- \_\_\_\_\_ IP Threaded
- \_\_\_\_\_ NH No-Hub
- \_\_\_\_\_ NL Neo-Loc

**'E' BODY HT. DIM.**

- 3 7/8 [98]
- 3 7/8 [98]
- 2 3/8 [60]
- 2 5/8 [67]
- 3 7/8 [98]
- 3 3/4 [95]

**PREFIXES**

- \_\_\_\_\_ ZB D.C.C.I. Body Assembly w/ Polished Bronze Top
- \_\_\_\_\_ ZN D.C.C.I. Body Assembly w/ Polished Nickel Bronze Top\*

**SUFFIXES**

- \_\_\_\_\_ -AR Acid Resisting Epoxy Coated Cast Iron
- \_\_\_\_\_ -CP Chrome-Plated Top
- \_\_\_\_\_ -DC Debris Cover (Field Assembled)
- \_\_\_\_\_ -DP Decorative Polished Top
- \_\_\_\_\_ -EF 3/16 [5] Extension Frame
- \_\_\_\_\_ -G Galvanized Cast Iron
- \_\_\_\_\_ -P Trap Primer Connection (Specify 1/2 [13] or 3/4 [19])
- \_\_\_\_\_ -SR Stabilizer Ring
- \_\_\_\_\_ -TC Neo-Loc Test Cap Gasket (2 [51] - 4 [102] NL Outlet Only)
- \_\_\_\_\_ -U 1 - 3 [25 - 76] High Extension Adapter
- \_\_\_\_\_ -V Backwater Valve
- \_\_\_\_\_ -VP Vandal-Proof Secured Top
- \_\_\_\_\_ -Y Sediment Bucket
- \_\_\_\_\_ -18 Leveling Ring (See Z400-18)
- \_\_\_\_\_ -90 90° Threaded Side Outlet Body Assembly (2 [51], 3 [76] Only)

\*REGULARLY FURNISHED UNLESS OTHERWISE SPECIFIED

<b>REV.</b>	<b>DATE: 2/1/10</b>	<b>C.N. NO. 110637</b>
<b>DWG. NO. P-15839</b>		<b>PRODUCT NO. Z415S-94</b>

ZURN INDUSTRIES, LLC ♦ SPECIFICATION DRAINAGE OPERATION ♦ 1801 Pittsburgh Ave. ♦ Erie, PA 16514

Phone: 814/455-0921 ♦ Fax: 814/454-7929 ♦ World Wide Web: www.zurn.com

In Canada: ZURN INDUSTRIES LIMITED ♦ 3544 Nashua Drive ♦ Mississauga, Ontario L4V1L2 ♦ Phone: 905/405-8272 Fax: 905/405-1292