



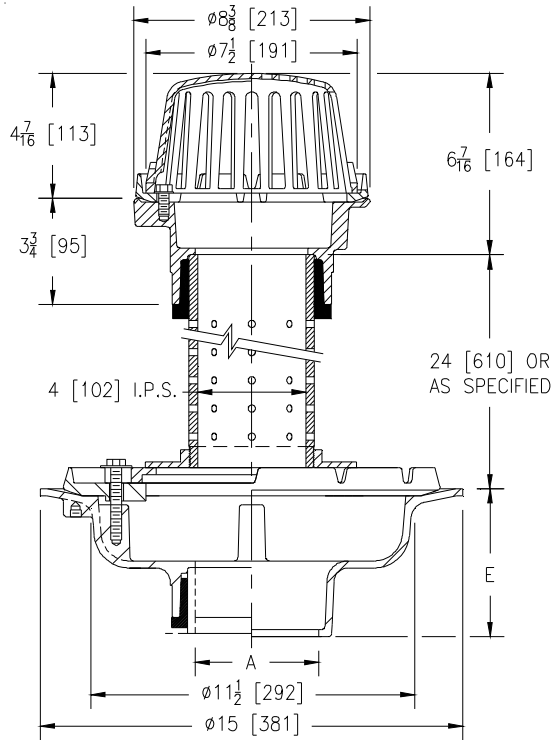
Z100-246

SPECIFICATION SHEET

Ø15 [381] MAIN ROOF DRAIN W/ Ø4 [102] PERFORATED STANDPIPE & Z125 UPPER ASSEMBLY

TAG _____

Dimensional Data (inches and [mm]) are Subject to Manufacturing Tolerances and Change Without Notice



A- Pipe Size In.	Approx. Wt. Lbs. [kg]	Dome Open Area Sq. In. [cm ²]
2-3-4 [51-76-102]	45 [20]	43 [277]
5-6 [127-152]	46 [21]	
8 [203]	47 [21]	

ENGINEERING SPECIFICATION: ZURN Z100-246
 Ø15 [381] roof drain. Dura-Coated cast iron body, with combination membrane flashing clamp/gravel guard, Ø4 [102] PVC perforated standpipe and Z125 upper assembly.

OPTIONS (Check/specify appropriate options)

PIPE SIZE

- 2 thru 6, 8 [51 thru 152, 203]
- 2 thru 6, 8 [51 thru 152, 203]
- 2 thru 6, 8 [51 thru 152, 203]
- 2, 3, 4 [51, 76, 102]
- 6 [152]

(Specify size/type) **OUTLET**

- _____ IC Inside Caulk
- _____ IP Threaded
- _____ NH No-Hub
- _____ NL Neo-Loc
- _____ NL Neo-Loc

E BODY HT. DIM.

- 5-1/4 [133]
- 3-3/4 [95]
- 5-1/4 [133]
- 4-9/16 [116]
- 5-7/16 [138]

PREFIXES

- _____ Z D.C.C.I. Body with Cast Iron Dome*
- _____ ZA D.C.C.I. Body with Aluminum Dome

SUFFIXES

- | | |
|--|---|
| _____ -AC Angular Underdeck Clamp | _____ -R Roof Sump Receiver |
| _____ -AR Acid Resistant Epoxy Coated | _____ -SC Secondary Clamping Collar |
| _____ -BS Bronze Mesh Screen Over Dome | _____ -SS Stainless Mesh Screen Over Dome |
| _____ -C Underdeck Clamp | _____ -VP Vandal Proof Secured Dome |
| _____ -E Static Extension 1 [25] thru 4 [102] (Specify Ht.) | _____ -XJ Vertical Expansion Joint (See Z190) |
| _____ -EA Adjustable Extension Assembly 1-3/4 [44] thru 3-1/2 [89] | _____ -90 90° Threaded Side Outlet Body (2 thru 6 [51-152]) |
| _____ -G Galvanized Cast Iron | _____ -SM S.S. Mesh over Standpipe |
| _____ -GD Galvanized Cast Iron Dome | |

REV.	DATE: 04/18/12	C.N. NO. 124162
DWG. NO. 309479	PROD. NO. Z100-246	

*REGULARLY FURNISHED UNLESS OTHERWISE SPECIFIED