



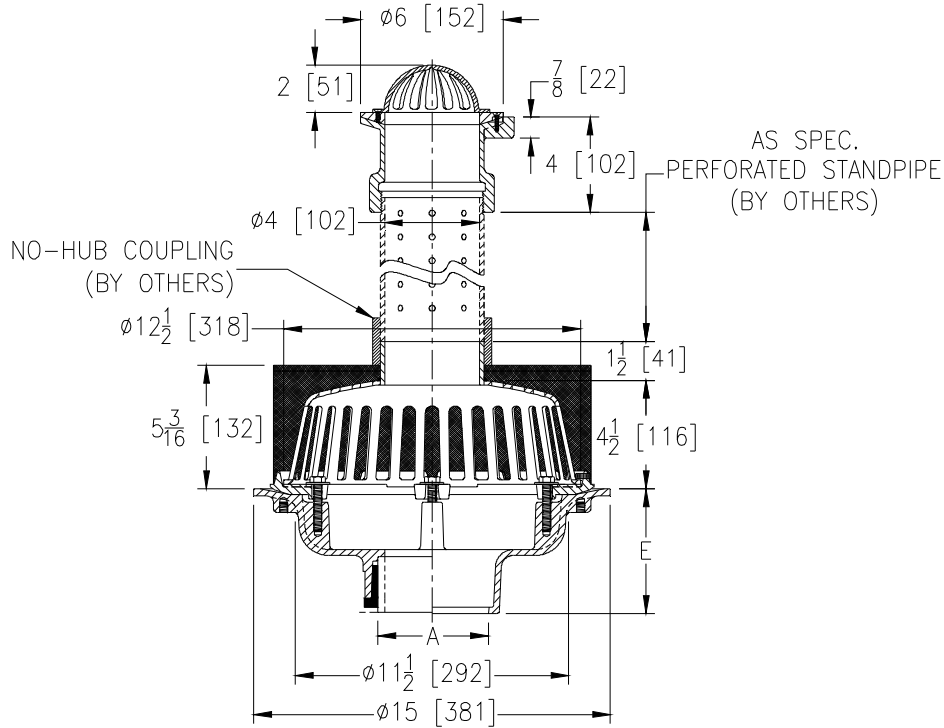
# Z100-208

15 [381] DIAMETER ROOF DRAIN W/SECURED DOME WITH  
4 [102] NO-HUB STANDPIPE, STAINLESS STEEL MESH  
OVER DOME, AND Z181 UPPER DRAIN

SPECIFICATION SHEET

TAG \_\_\_\_\_

Dimensional Data (inches and [mm]) are Subject to Manufacturing Tolerances and Change Without Notice



A Pipe Size In.	Approx. Wt. Lbs. [kg]	Dome Open Areas Sq. In. [cm <sup>2</sup> ]	
		Upper	Lower
2,3,4 [51,76,102]	26 [12]		
5,6 [127,152]	27 [12]	12 [72]	103 [665]
8 [203]	28 [13]		

## ENGINEERING SPECIFICATION: ZURN Z100-208

15 [381] Diameter roof drain. Dura-Coated cast iron body with combination membrane flashing clamp/gravel guard, low silhouette secured dome with stainless steel mesh liner, 4 [102] no-hub standpipe (By Others), and Z181 upper drain assembly.

### OPTIONS (Check/specify appropriate options)

#### PIPE SIZE

2 thru 6,8 [51 thru 152,203]  
2 thru 6,8 [51 thru 152,203]  
2 thru 6,8 [51 thru 152,203]  
2,3,4 [51,76,102]  
6 [152]

#### (Specify size/type) OUTLET

\_\_\_\_ IC Inside Caulk  
\_\_\_\_ IP Threaded  
\_\_\_\_ NH No-Hub  
\_\_\_\_ NL Neo-Loc  
\_\_\_\_ NL Neo-Loc

#### E BODY HT. DIM.

5 1/4 [133]  
3 3/4 [95]  
5 1/4 [133]  
4 9/16 [116]  
5 7/16 [112]

#### PREFIXES

\_\_\_\_ ZRB D.C.C.I. Body with Plain Bronze Dome\*  
\_\_\_\_ ZB D.C.C.I. Body with Polished Bronze Dome  
\_\_\_\_ ZN D.C.C.I. Body with Polished Nickel Bronze Dome

#### SUFFIXES

\_\_\_\_ -AC Angular Underdeck Clamp  
\_\_\_\_ -AR Acid Resistant Epoxy Coated  
\_\_\_\_ -C Underdeck Clamp  
\_\_\_\_ -DE Deck Extension  
\_\_\_\_ -DP Top-Set® Deck Plate (Replaces both the -C and -R)  
\_\_\_\_ -DR Top-Set® Drain Riser  
\_\_\_\_ -DX Dex-O-Tex Flange (Lower Body)  
\_\_\_\_ -E Static Extension 1 [25] thru 4 [102] (Specify Ht.)  
\_\_\_\_ -EB Top-Set® Adjustable Extension Assembly  
\_\_\_\_ -G Galvanized Cast Iron  
\_\_\_\_ -GD Galvanized Cast Iron Dome (Lower Dome)  
\_\_\_\_ -HD 5 3/4 [146] High Dome  
\_\_\_\_ -R Roof Sump Receiver

\_\_\_\_ -TC Neo-Loc Test Cap Gasket  
(2 - 4 [51 - 102] NL Bottom Outlet Only)  
\_\_\_\_ -VP Vandal-Proof Secured Top  
\_\_\_\_ -90 90° Threaded Side Outlet Body  
(2 thru 6 [51 or 152])

\*REGULARLY FURNISHED UNLESS OTHERWISE SPECIFIED

REV. DATE: 8/19/09 C.N. NO. 110105

DWG. NO. P-15747 PRODUCT NO. Z100-208

ZURN INDUSTRIES, LLC ♦ SPECIFICATION DRAINAGE OPERATION ♦ 1801 Pittsburgh Ave. ♦ Erie, PA 16514

Phone: 814/455-0921 ♦ Fax: 814/454-7929 ♦ World Wide Web: www.zurn.com

In Canada: ZURN INDUSTRIES LIMITED ♦ 3544 Nashua Drive ♦ Mississauga, Ontario L4V1L2 ♦ Phone: 905/405-8272 Fax: 905/405-1292