



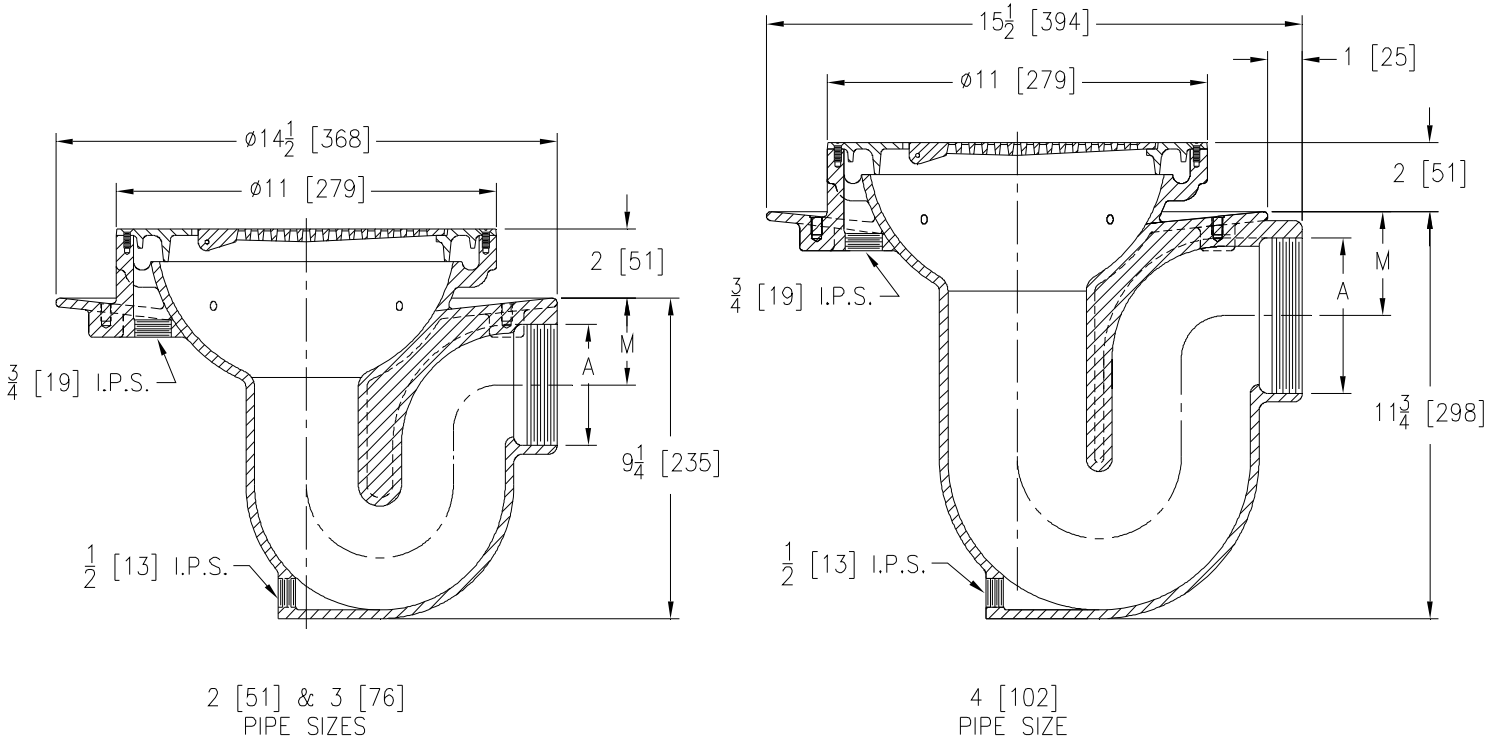
Z300-83

THOROFLUSH DRAIN W/ STAINLESS STEEL TOP

SPECIFICATION SHEET

TAG _____

Dimensional Data (inches and [mm]) are Subject to Manufacturing Tolerances and Change Without Notice



2 [51] & 3 [76]
PIPE SIZES

4 [102]
PIPE SIZE

Dimensions in Inches		Approx. Wt. Lbs. [kg]	Grate Open Area Sq. In. [cm ²]
A-Pipe Size	M		
2 [51]	3 [76]	50 [23]	18 [116]
3 [76]	2-1/2 [64]		
4 [102]	3 [76]		

ENGINEERING SPECIFICATION: ZURN ZS300-83

11 [279] Top Thoroflush Drain with integral double wall trap, cast iron body with white acid resistant epoxy coated exterior and interior, side outlet with seepage pan, stainless steel flushing rim top and slotted hinged grate.

OPTIONS (Check/specify appropriate options)

PIPE SIZE

2-3-4 [51-76-102]

(Specify size) **OUTLET**

___ IP Threaded

PREFIXES

___ ZS Cast Iron Body w/A.R.C. Interior and Exterior w/Polished Stainless Steel Top

SUFFIXES

- ___ -C Clamping Collar
- ___ -FG Free Set Grate
- ___ -IG Integral Grate
- ___ -NE Spark Proof Non-Conductive Top
- ___ -SC Solid Cover
- ___ -ST Solid Hinged Top
- ___ -VP Vandal-Proof Screws in Frame
- ___ -WB Water Supply Control Box (See Z1464)

*REGULARLY FURNISHED UNLESS OTHERWISE SPECIFIED

REV.	DATE: 05/24/13	C.N. NO. 129405
PROD./DWG. NO. Z300-83		

ZURN INDUSTRIES, LLC. ♦ SPECIFICATION DRAINAGE OPERATION ♦ 1801 Pittsburgh Ave. ♦ Erie, PA 16514

Phone: 814/455-0921 ♦ Fax: 814/454-7929 ♦ World Wide Web: www.zurn.com

In Canada: ZURN INDUSTRIES LIMITED ♦ 3544 Nashua Drive ♦ Mississauga, Ontario L4V1L2 ♦ Phone: 905/405-8272 Fax: 905/405-1292