



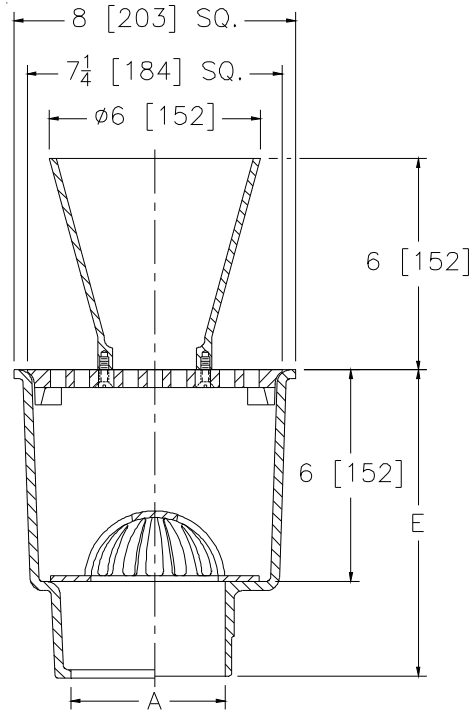
Z1910-6

8 X 8 [203 X 203] A.R.E. SANI-FLOR RECEPTOR 6 [152]

SPECIFICATION SHEET

SUMP DEPTH W/ GRATE & 6 DIAMETER X 6 [152x152] HIGH TAG _____
 FUNNEL

Dimensional Data (inches and [mm]) are Subject to Manufacturing Tolerances and Change Without Notice



A Pipe Size In. [mm]	Approx Wt. Lbs. [kg]	Grate Open Area Sq. In. [cm ²]
2,3,4 [51,76,102]	30 [13]	19 [123]

ENGINEERING SPECIFICATION: ZURNZ1910-6

Sani-Flor Receptor 8" x 8" x 6" [203mm x 203mm x 152mm] deep cast iron body and square, medium-duty grate with 7/16" [11mm] slotted openings and 6" dia. x 6" high [152mm x 152mm] funnel, with white acid resisting porcelain enamel interior and top, and black ground enamel exterior coating, complete with white ABS anti-splash interior bottom dome strainer.

OPTIONS (Check/specify appropriate options)

PIPE SIZE

- 3,4 [76,102]
- 2,3,4 [51,76,102]
- 2,3,4 [51,76,102]

(Specify size/type) OUTLET

- ___ IC Inside Caulk
- ___ NH No-Hub
- ___ NL Neo-Loc

'E' BODY HT. DIMENSION

Z	ZN
8-3/4 [222]	9-1/4 [235]
8-5/8 [219]	9-1/8 [232]
8 [203]	8-1/2 [216]

PREFIXES

- ___ Z Cast Iron Body with White A.R.E. Interior*
- ___ ZN Cast Iron Body with White A.R.E. Interior, 8-9/16 [217] Square N.B. Frame and Full Grate with 5/16 [8] Square Openings (Add 1/2 [13] to 8 [203] and 'E' Dim.)

SUFFIXES

- | | |
|---|---|
| ___ -DX Dex-O-Tex Flange (ZN Only) | ___ -25 White A.R.C. Bucket |
| ___ -K Anchor Flange | ___ -31 Stainless Steel Mesh Liner for Bucket |
| ___ -KC Anchor Flange with Seepage Holes and Clamp Collar | ___ -32 Aluminum Dome Strainer |
| ___ -LD Less Bottom Dome Strainer | ___ -33 White A.R.C. Anti-Splash Bottom Dome Strainer |
| ___ -P 1/2 [13] Trap Primer Connection (See Z1023) | |
| ___ -TC Neo-Loc Test Cap Gasket (2,3,4 [51,76,102] NL Bottom Outlet Only) | |
| ___ -11 Vandal-Proof Secured Grate (ZN Only) | |
| ___ -23 Aluminum Bucket | |

* Regularly furnished unless otherwise specified.

Zurn Industries, LLC | Specification Drainage Operation
 1801 Pittsburgh Avenue, Erie, PA U.S.A. 16502 · Ph. 855-663-9876, Fax 814-454-7929
 In Canada | Zurn Industries Limited
 3544 Nashua Drive, Mississauga, Ontario L4V 1L2 · Ph. 905-405-8272, Fax 905-405-1292
www.zurn.com

Rev. B
 Date: 10/12/17
 C.N. No. 138769
 Prod. | Dwg. No. Z1910-6