



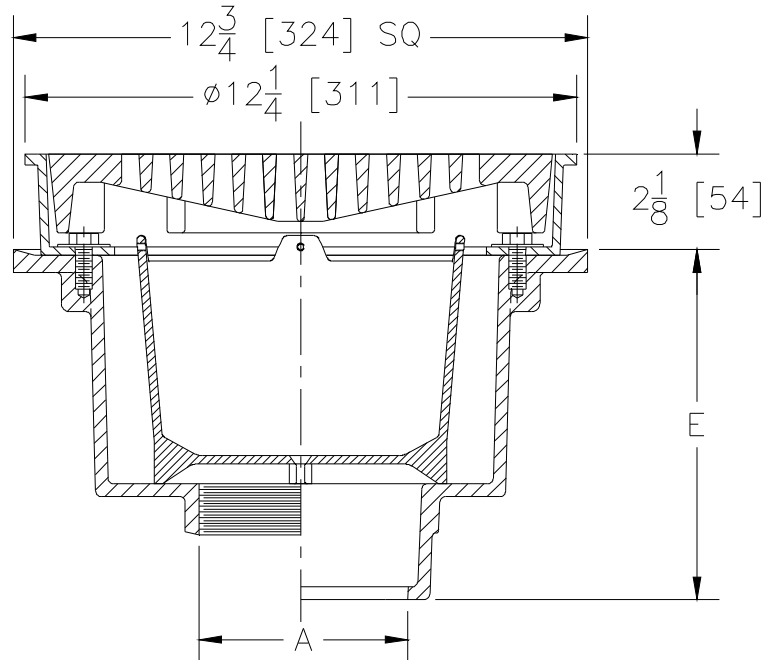
# Z512-Y

## 12-1/4 [311] HEAVY-DUTY DRAIN WITH SEDIMENT BUCKET

SPECIFICATION SHEET

TAG \_\_\_\_\_

Dimensional Data (inches and [ mm ]) are Subject to Manufacturing Tolerances and Change Without Notice



A Pipe Size In. [mm]	Approx Wt. Lbs. [kg]	Grate Open Area Sq. In. [cm <sup>2</sup> ]
3,4,6 [76,102,152]	50 [23]	30 [194]

### ENGINEERING SPECIFICATION: ZURNZ512-Y

12-1/4" [311 mm] Diameter top drain, Dura-Coated cast iron deep sump body with bottom outlet, seepage pan and combination flashing clamp, frame for heavy-duty tractor grate, complete with aluminum bucket

### OPTIONS (Check/specify appropriate options)

#### PIPE SIZE

- 4,6 [76,102,152]
- 4,6 [76,102,152]
- 4,6 [102,152]
- 3,4,6 [76,102,152]
- 3,4 [76,102]

#### (Specify size/type) OUTLET

- \_\_\_ IC Inside Caulk
- \_\_\_ IG Inside Gasket
- \_\_\_ IP Threaded
- \_\_\_ NH No-Hub
- \_\_\_ NL Neo-Loc

#### 'E' BODY HT. DIM.

- 7-3/4 [197]
- 7-3/4 [197]
- 6-5/16 [160]
- 7-13/16 [198]
- 7-1/4 [184]

#### PREFIXES

- \_\_\_ Z D.C.C.I. Body and Top\*
- \_\_\_ ZB D.C.C.I. Body with Polished Bronze Top (Add 3/16 [5] to 2-1/8 [54] Dim. and 3/4 [20] to 12-1/4 [311] Dim.)
- \_\_\_ ZN D.C.C.I. Body with Polished Nickel Bronze Top (Add 3/16 [5] to 2-1/8 [54] Dim. and 3/4 [20] to 12-1/4 [311] Dim.)

#### SUFFIXES

- \_\_\_ -AR Acid Resisting Epoxy Coated Cast Iron
- \_\_\_ -DG Duresist Grate
- \_\_\_ -G Galvanized Cast Iron
- \_\_\_ -SS Stainless Mesh Liner for Bucket
- \_\_\_ -T Square Top
- \_\_\_ -TC Neo-Loc Test Cap Gasket (3,4 [76,102] NL Bottom Outlet Only)
- \_\_\_ -TS Top Secured with Slotted Screws
- \_\_\_ -VP Vandal-Proof Secured Top

\* Regularly furnished unless otherwise specified.