



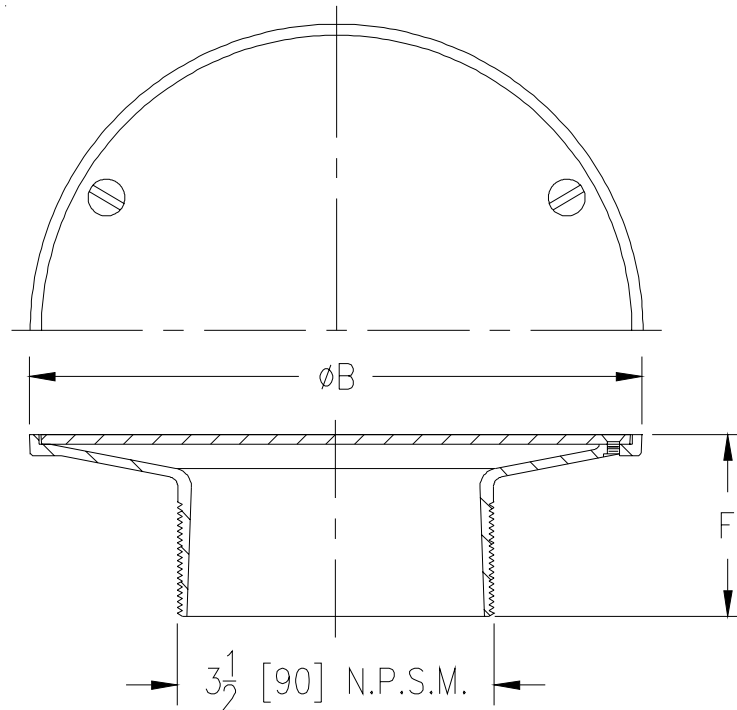
ZN400B-75

"TYPE B" ROUND STRAINER W/ SOLID STAINLESS STEEL COVER

SPECIFICATION SHEET

TAG _____

Dimensional Data (inches and [mm]) are Subject to Manufacturing Tolerances and Change Without Notice



Strainer Designation	Dimension in Inches		Approx. Wt. Lbs. [kg]
	Size B	Height F	
-5B	5 [127]	2 [51]	2 [1]
-6B	6 [152]	2 1/4 [57]	3 [1]

ENGINEERING SPECIFICATION: ZURN ZN400B-75
 "TYPE B" round adjustable light duty polished nickel bronze strainer top, and solid stainless steel cover with (3) #8-32 N.C. flat head machine screws.

OPTIONS (Check/specify appropriate options)

PREFIXES

___ ZN Polished Nickel Bronze Top*

REV.	DATE: 10/1/04	C.N. NO. 92623
DWG. NO. P-15087	PRODUCT NO. ZN400B-75	

*REGULARLY FURNISHED UNLESS OTHERWISE SPECIFIED