



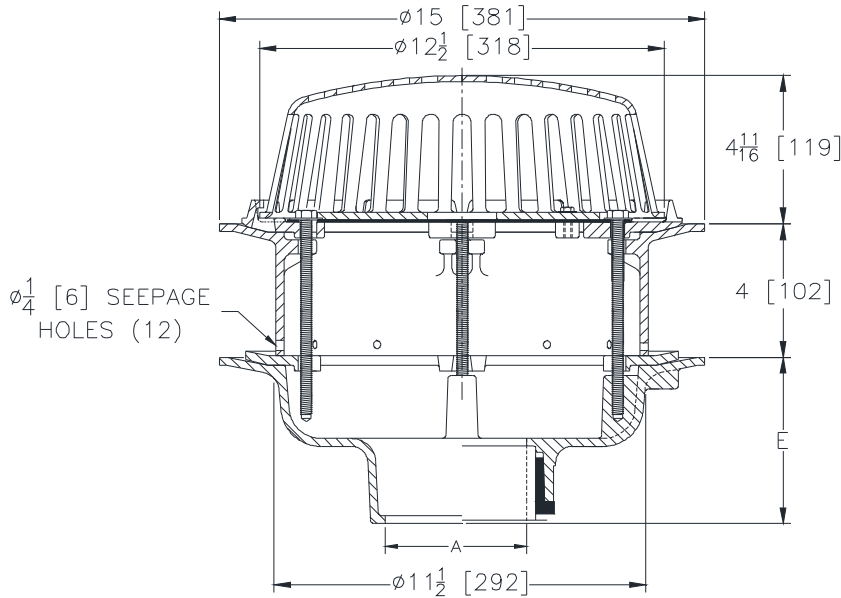
# Z100-295

## 15 [381] DIAMETER MAIN ROOF DRAIN WITH GASKETED FLOW RESTRICTING PLATE AND EXTENSION WITH SEEPAGE HOLES

SPECIFICATION SHEET

TAG \_\_\_\_\_

Dimensional Data (inches and [ mm ]) are Subject to Manufacturing Tolerances and Change Without Notice



A- Pipe Size In. [mm]	Approx. Wt. Lbs. [kg]	Dome Open Area Sq. In. [cm <sup>2</sup> ]
2,3,4 [51,76,102]	47 [21]	103 [665]
5,6 [127,152]	48 [22]	
8 [203]	49 [22]	

### ENGINEERING SPECIFICATION: ZURN Z100-295

15" [381mm] Diameter roof drain. Dura-Coated cast iron body with combination membrane flashing clamp/gravel guard, static extension with seepage holes, secondary clamping collar, gasketed flow restricting plate and low silhouette Poly-Dome.

### OPTIONS (Check/specify appropriate options)

#### PIPE SIZE

2,3,4,5,6,8 [51,76,102,127,152,203]  
2,3,4,5,6,8 [51,76,102,127,152,203]  
2,3,4,5,6,8 [51,76,102,127,152,203]  
2,3,4 [51,76,102]

#### (Specify size/type) OUTLET

\_\_\_\_\_ IC Inside Caulk  
\_\_\_\_\_ IP Threaded  
\_\_\_\_\_ NH No-Hub  
\_\_\_\_\_ NL Neo-Loc

#### E BODY HT. DIM.

5-1/4 [133]  
3-3/4 [95]  
5-1/4 [133]  
4-5/8 [117]

#### PREFIXES

\_\_\_\_\_ Z D.C.C.I. Body with Poly-Dome\*  
\_\_\_\_\_ ZA D.C.C.I. Body with Aluminum Dome  
\_\_\_\_\_ ZC D.C.C.I. Body with Cast Iron Dome  
\_\_\_\_\_ ZRB D.C.C.I. Body with Plain Bronze Dome

#### SUFFIXES

_____ -AC	Angular Underdeck Clamp	_____ -GD	Galvanized Cast Iron Dome (ZC Only)
_____ -AR	Acid Resistant Epoxy Coated	_____ -HD	6-3/4 [171] High Aluminum Dome Strainer (148 Sq. In. [955 cm <sup>2</sup> ] Open Area)
_____ -BS	Bronze Mesh Screen Over Dome	_____ -R	Roof Sump Receiver
_____ -C	Underdeck Clamp	_____ -SS	Stainless Steel Mesh Screen Over Dome
_____ -DP	Top-Set® Deck Plate (Replaces both the -C and -R)	_____ -TC	Neo-Loc Test Cap Gasket (2,3,4 [51,76,102,] NL Bottom Outlet Only)
_____ -DR	Top-Set® Drain Riser	_____ -VP	Vandal-Proof Secured Top
_____ -DX	Dex-o-tex Flange	_____ -XJ	Vertical Expansion Joint (See Z190)
_____ -EA	Adjustable Extension Assembly 1-3/4 [44] thru 3-1/2 [89]	_____ -84	Stainless Steel Perforated Gravel Guard
_____ -EB	Top-Set® Adjustable Extension Assembly	_____ -90	90° Threaded Side Outlet Body (2,3,4,5,6 [51,76,102,127,152])
_____ -G	Galvanized Cast Iron		

\* Regularly furnished unless otherwise specified.

Zurn Industries, LLC | Specification Drainage Operation  
1801 Pittsburgh Avenue, Erie, PA U.S.A. 16502 · Ph. 855-663-9876, Fax 814-454-7929  
In Canada | Zurn Industries Limited  
3544 Nashua Drive, Mississauga, Ontario L4V 1L2 · Ph. 905-405-8272, Fax 905-405-1292  
[www.zurn.com](http://www.zurn.com)

Rev. -  
Date: 12/18/14  
C.N. No. 132075  
Prod. | Dwg. No. Z100-295