



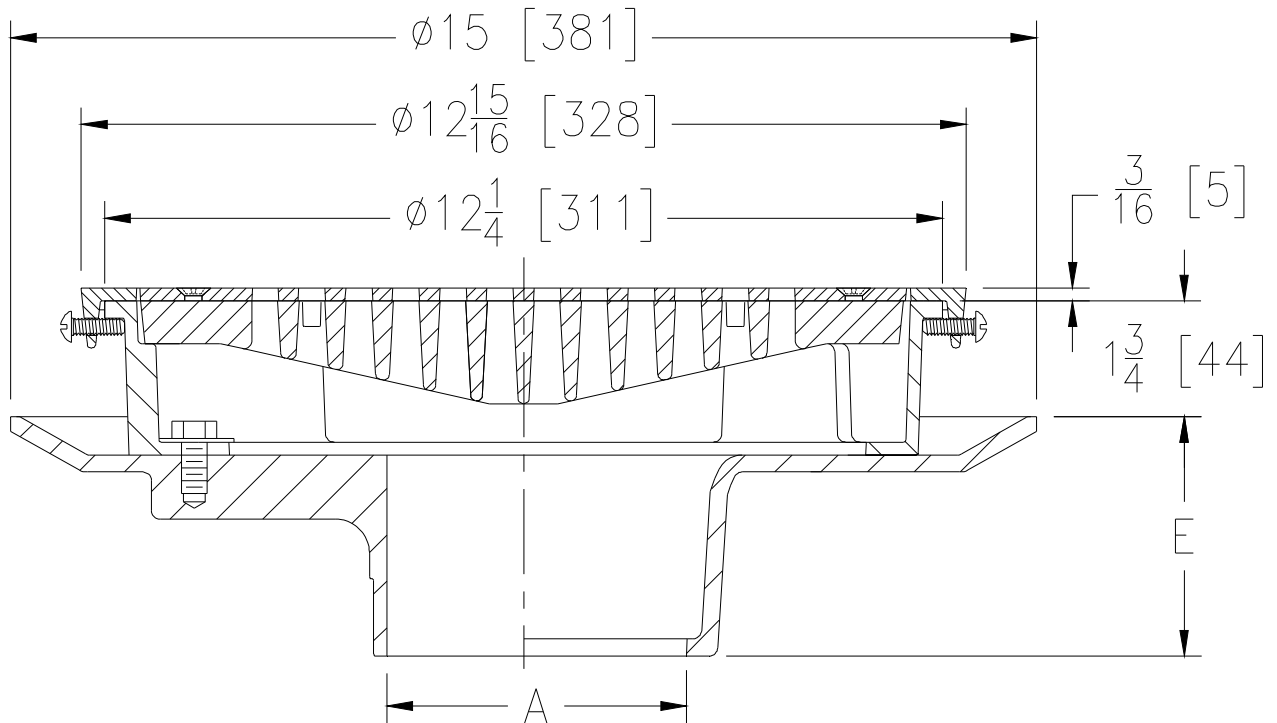
# Z504-80

SPECIFICATION SHEET

## Ø12 [305] HEAVY-DUTY DRAIN W/ STAINLESS STEEL VENEER TOP

TAG \_\_\_\_\_

Dimensional Data (inches and [ mm ]) are Subject to Manufacturing Tolerances and Change Without Notice



A- Pipe Size In.	Approx. Wt. Lbs. [kg]	Grate Open Area Sq. In. [cm <sup>2</sup> ]
3-4-6 [76-102-152]	32 [15]	30 [194]

### ENGINEERING SPECIFICATION: ZURN Z504-80

12 [305] Diameter top drain-Dura-Coated cast iron body with bottom outlet, seepage pan and combination membrane flashing clamp and frame for heavy-duty slotted grate with stainless steel veneer.

### OPTIONS (Check/specify appropriate options)

#### PIPE SIZE

3-4-6 [76-102-152]  
3-4-6 [76-102-152]  
3-4-6 [76-102-152]  
3-4-6 [76-102-152]  
3-4 [76-102]

#### (Specify size/type) OUTLET

\_\_\_ IC Inside Caulk  
\_\_\_ IG Inside Gasket  
\_\_\_ IP Threaded  
\_\_\_ NH No-Hub  
\_\_\_ NL Neo-Loc

#### 'E' BODY HT. DIM.

3-1/2 [89]  
3-1/2 [89]  
3-1/2 [89]  
3-1/2 [89]  
2-5/8 [67]

#### PREFIXES

\_\_\_ ZS D.C.C.I. Body w/ stainless steel top (Add 3/16 [5] to 1-3/4 [44] Dim. and 3/4 [20] to 12-1/4 [311] Dim.)\*

#### SUFFIXES

___ -AR Acid Resisting Epoxy Coated Cast Iron	___ -TS Top Secured with Slotted Screws
___ -DG Duresist Grate	___ -V Backwater Valve (See Z1099)
___ -F Extension Frame (Specify Total Height Req'd.)	___ -VP Vandal-Proof Secured Top
___ -P Trap Primer Connection	___ -Y Sediment Bucket
___ -S Secondary Strainer	
___ -TC Neo-Loc Test Cap Gasket (3 - 4 [76 - 102] NL Bottom Outlet Only)	

\*REGULARLY FURNISHED UNLESS OTHERWISE SPECIFIED

REV.	DATE: 09/13/12	C.N. NO. 124724
DWG. NO. 310466	PRODUCT NO. Z504-80	

ZURN INDUSTRIES, LLC. ♦ SPECIFICATION DRAINAGE OPERATION ♦ 1801 Pittsburgh Ave. ♦ Erie, PA 16514

Phone: 814/455-0921 ♦ Fax: 814/454-7929 ♦ World Wide Web: www.zurn.com

In Canada: ZURN INDUSTRIES LIMITED ♦ 3544 Nashua Drive ♦ Mississauga, Ontario L4V1L2 ♦ Phone: 905/405-8272 Fax: 905/405-1292