



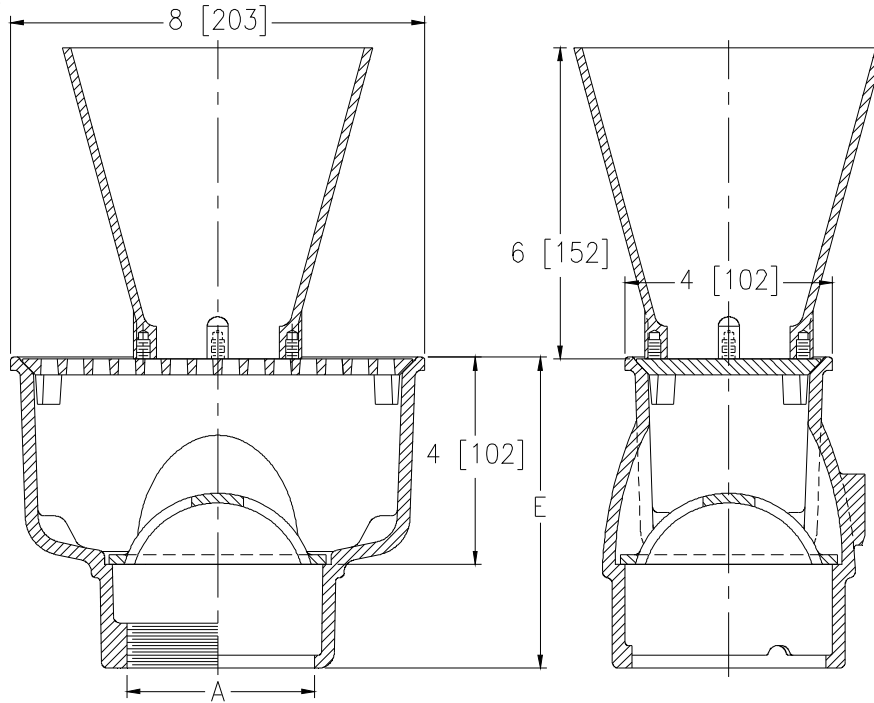
Z1930-6

8 X 4 [203 X 102] A.R.C. SANI-FLOR RECEPTOR,
4 [102] SUMP DEPTH W/ 6 [152] DIAMETER X
6 [152] HIGH FUNNEL

SPECIFICATION SHEET

TAG _____

Dimensional Data (inches and [mm]) are Subject to Manufacturing Tolerances and Change Without Notice



A- Pipe Size In. [mm]	Approx Wt. Lbs. [kg]	Grate Open Area Sq. In. [cm ²]
2,3 [51,76]	16 [7]	7.5 [48]

ENGINEERING SPECIFICATION: ZURN Z1930-6

Sani-Flor Receptor 8" x 4" x 4" [203mm x 102mm x 102mm] deep cast iron body and square slotted light duty grate with 6" diameter x 6" [152mm x 152mm] high funnel, with white acid resisting epoxy coated interior and top, and white ABS anti-splash interior bottom dome strainer.

OPTIONS (Check/specify appropriate options)

PIPE SIZE

(Specify size/type) **OUTLET**

'E' BODY HT. DIMENSION

3 [76]
2,3 [51,76]
2,3 [51,76]

___ IC Inside Caulk
___ IP Threaded
___ NL Neo-Loc

Z	ZN
6 [152]	6-3/8 [162]
6 [152]	6-3/8 [162]
5-13/16 [148]	6-3/16 [157]

PREFIXES

___ Z Cast Iron Body with White A.R.C. Interior*
___ ZN Cast Iron Body with White A.R.C. Interior, 8-3/4 x 4-3/4 [222 x 121] Nickel Bronze Frame and Full Grate with 5/16 [8] Square Openings

SUFFIXES

___ -K Anchor Flange with Seepage Holes	___ -11 Vandal-Proof Secured Grate
___ -KC Anchor Flange with Seepage Holes and Clamp Collar	___ -23 Stainless Steel Bucket
___ -LD Less Bottom Dome Strainer	___ -25 White A.R.C. Bucket
___ -P 1/2 [13] Trap Primer Connection	___ -31 Stainless Steel Mesh Liner for Bucket
___ -S Secondary Strainer	___ -32 Aluminum Dome Strainer
___ -TC Neo-Loc Test Cap Gasket (2,3 [51,76] NL Bottom Outlet Only)	___ -33 White A.R.C. Anti-Splash Bottom Dome Strainer

* Regularly furnished unless otherwise specified.