



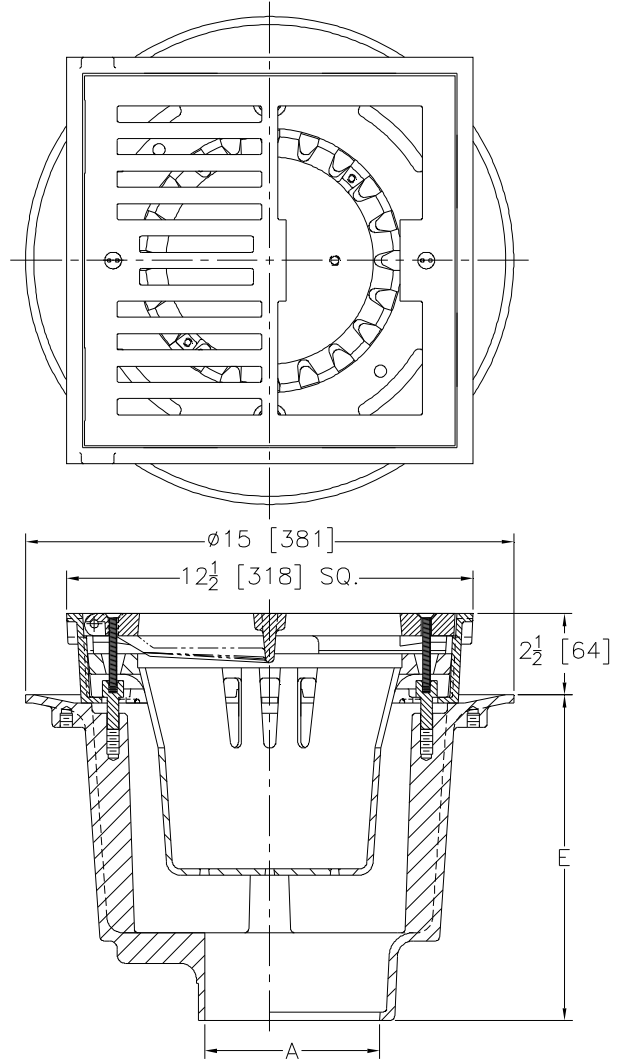
# Z539-92

SPECIFICATION SHEET

## 12 1/2 [318] SQ. TOP HEAVY-DUTY VANDAL-PROOF DRAIN W/ DEEP SUMP & 1/2 GRATE

TAG \_\_\_\_\_

Dimensional Data (inches and [ mm ]) are Subject to Manufacturing Tolerances and Change Without Notice



A- Pipe Size In.	Approx. Wt. Lbs. [kg]	Grate Open Area Sq. In. [cm <sup>2</sup> ]
3-4-6 [76-102-152]	68 [31]	50 5/16 [325]
8 [203]		

### ENGINEERING SPECIFICATION: ZURN Z539-92

12 1/2 [318] square top drain, Dura-Coated cast iron deep sump body with bottom outlet, seepage pan and combination membrane flashing clamp and frame for sediment bucket and heavy-duty vandal-proof 1/2 slotted grate.

### OPTIONS (Check/specify appropriate options)

#### PIPE SIZE

- 3-4-6 [76-102-152]
- 3-4-6 [76-102-152]
- 3-4-6-8 [76-102-152-203]

#### (Specify size/type) OUTLET

- \_\_\_ IC Inside Caulk
- \_\_\_ IG Inside Caulk w/Sealtrol Gskt.
- \_\_\_ NH No-Hub

#### 'E' BODY HT. DIM.

- 10 [254]
- 10 [254]
- 10 [254]

#### PREFIXES

- \_\_\_ Z D.C.C.I. Body and Top\*
- \_\_\_ ZB D.C.C.I. Body with Polished Bronze Top (Add 3/16 [5] to 2 [51] Dim.)
- \_\_\_ ZN D.C.C.I. Body with Polished Nickel Bronze Top (Add 3/16 [5] to 2 [51] Dim.)

#### SUFFIXES

- \_\_\_ -DG Duresist Grate
- \_\_\_ -FY Free Standing Bucket
- \_\_\_ -G Galvanized Cast Iron
- \_\_\_ -H Hinged Grate
- \_\_\_ -SS Stainless Steel Mesh Liner for Bucket

REV.	DATE: 04/14/09	C.N. NO. 99899
DWG. NO. P-15690	PRODUCT NO. Z539-92	

\*REGULARLY FURNISHED UNLESS OTHERWISE SPECIFIED