



Z1320-34EL

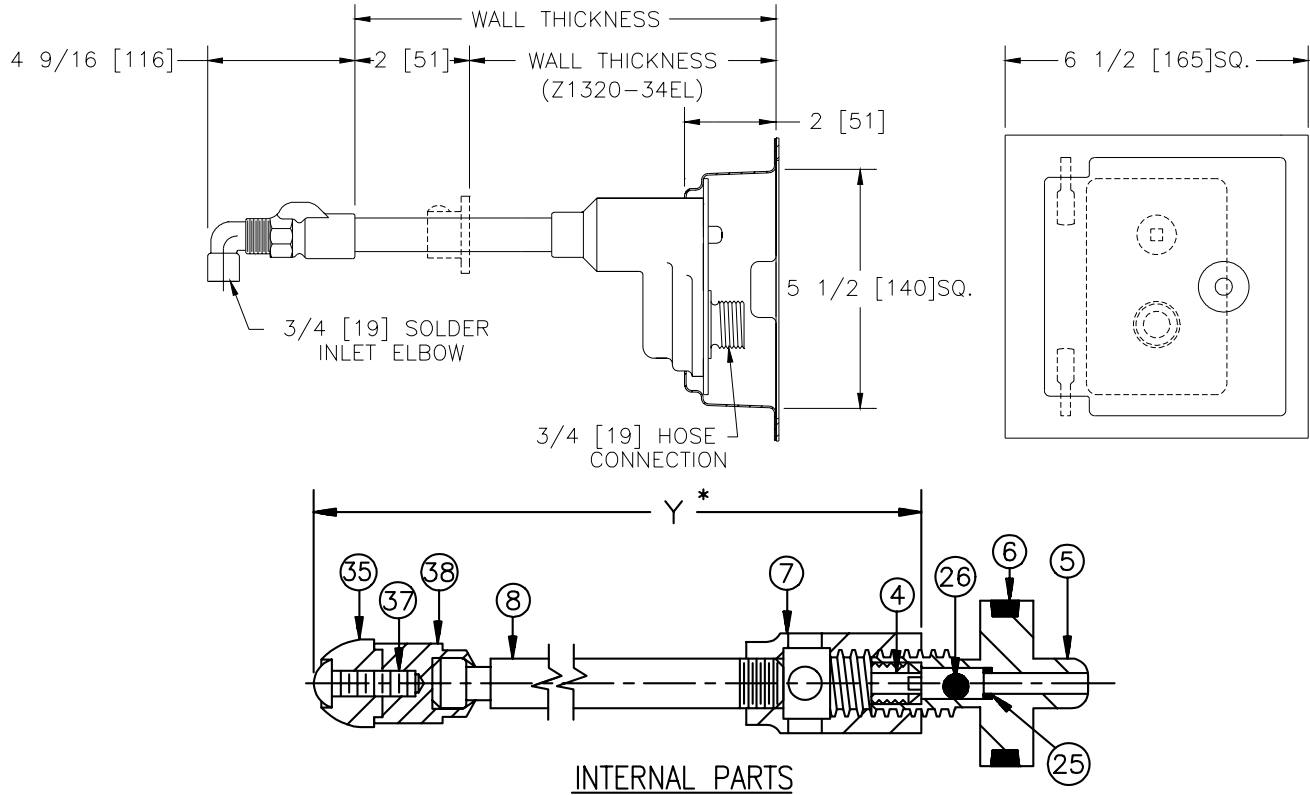
ECOLOTROL WALL HYDRANT

Encased, Non-Freeze, Anti-Siphon, Automatic Draining

SPECIFICATION SHEET

TAG _____

Dimensional Data (inches and [mm]) are Subject to Manufacturing Tolerances and Change Without Notice



Wall Thickness Inches	Approx. Wt. Lbs. [kg]
6-8 [152-203]	5 [2]
10-12-14 [254-305-356]	6 [3]
16-18 [406-457]	7 [3]
20-22-24 [508-559-610]	8 [4]
26-30 [660-762]	10 [5]

ENGINEERING SPECIFICATION: ZURN Z1320-34EL Encased Ecolotrol "anti-siphon" automatic draining wall hydrant for flush installation. Complete with non-freeze integral backflow preventer, copper casing, all bronze interior parts, non-turning operating rod with hemispherical neoprene plunger, 3/4 [19] solder inlet and 3/4 [19] 90° solder inlet elbow. Stainless steel box and hinged cover with operating key lock and "WATER" stamped on cover. (All solder connections are lead free.)

PARTS LIST

Item	Name	Quan.
4	Screw	1
5	Operating Screw	1
6	O-Ring	1
7	Operating Coupling	1
8	Operating Rod	1
25	O-Ring	1
26	Ball	1
35	Plunger	1
37	Screw	1
38	Washer Guide	1

OPTIONS (Check/specify appropriate options)

SUFFIXES

- ___ -CL Cylinder Lock
- ___ -NB Polished Nickel Bronze Face
- ___ -PB Polished Bronze Face
- ___ -RK Hydrant Parts Repair Kit
- ___ -RT12 Ceramic Cartridge Removal Tool (Up to 12 [305] Wall)
- ___ -RT24 Ceramic Cartridge Removal Tool (Up to 24 [610] Wall)
- ___ -RT36 Ceramic Cartridge Removal Tool (Up to 36 [915] Wall)
- ___ -WC Wall Clamp
- ___ -34FIP 3/4 [19] IP Straight Female Inlet Adapter

REV. A	DATE: 8/22/03	C.N. NO. 91198
DWG. NO. 60376		PRODUCT NO. Z1320-34EL

*WHEN ORDERING REPLACEMENT PARTS SPECIFY Y DIM.