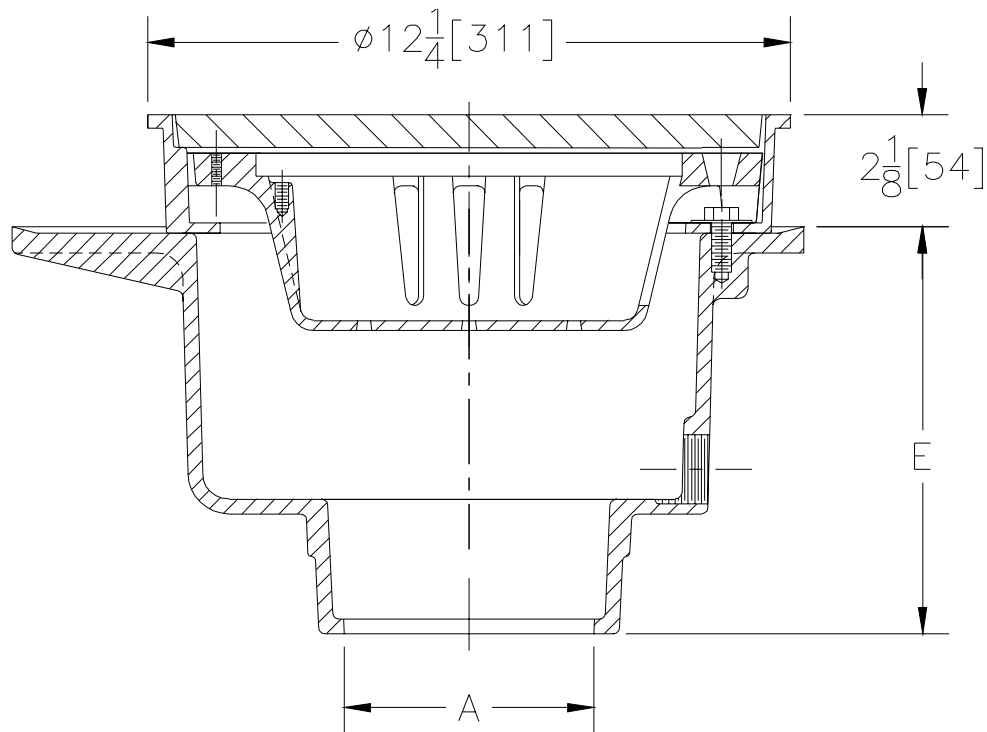




Z-539-81
12" [305] STAINLESS STEEL
HEAVY DUTY DRAIN WITH DEEP SUMP

TAG _____

Dimensional Data (inches and [mm]) are Subject to Manufacturing Tolerances and Change Without Notice



A- Pipe Size In.	Approx. Wt. Lbs. [kg]
3-4-5-6-8 [75-100-125-150-200]	68 [31]

ENGINEERING SPECIFICATION: ZURN Z-539-81 12 [305] Diameter top drain. CF8M type 316 Stainless Steel deep sump body with bottom outlet, seepage pan and combination membrane flashing clamp and frame for sediment bucket and heavy duty solid cover.

OPTIONS (Check/specify appropriate options)

PIPE SIZE

3 thru 8 [75 thru 200]

(Specify size/type) **OUTLET**

_____ IC Inside Caulk

'E' BODY HT. DIM.

7 3/4 [197]

PREFIXES

- _____ **-SG** Solid Gasketed Cover
- _____ **-TS** Top Secured with Slotted Screws
- _____ **-VP** Vandal Proof Secured Top

REV.	DATE: 7/28/97	C.N. NO. 78270
DWG. NO. P-14498 PRODUCT NO. Z-539-81		