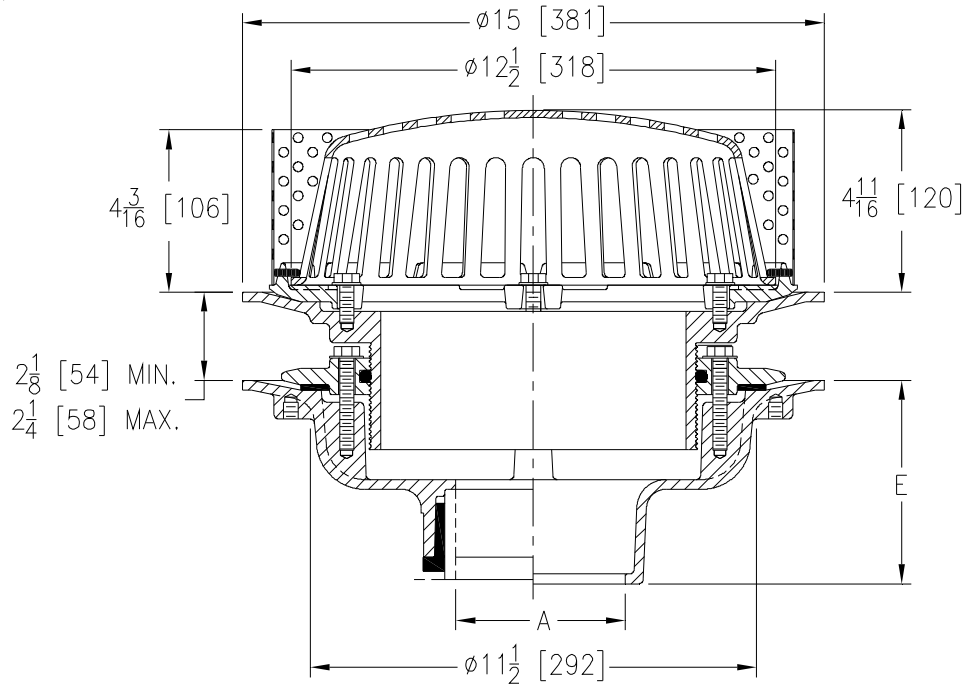




ZC100-EA-VP-84

15 [381] DIAMETER MAIN ROOF DRAIN W/ ADJUSTABLE EXTENSION, VANDAL-PROOF CAST IRON DOME AND PERFORATED GRAVEL GUARD **SPECIFICATION SHEET**
TAG _____

Dimensional Data (inches and [mm]) are Subject to Manufacturing Tolerances and Change Without Notice



A Pipe Size In [mm]	Approx. Wt. Lbs. [kg]	Dome Open Area Sq. In. [cm ²]
2, 3, 4 [51, 76, 102]	40 [18]	103 [665]
6 [152]	41 [19]	
8 [203]	42 [19]	

ENGINEERING SPECIFICATION: ZURNZC100-EA-VP-84
15" [381mm] Diameter roof drain. Dura-Coated cast iron body, adjustable extension assembly with secondary clamping collar and o-ring, vandal-proof secured low silhouette cast iron dome and stainless steel perforated gravel guard.

OPTIONS (Check/specify appropriate options)

PIPE SIZE

- 3, 4, 6 [76, 102, 152]
- 2, 3, 4, 6, 8 [51, 76, 102, 152, 203]
- 2, 3, 4, 6, 8 [51, 76, 102, 152, 203]
- 2, 3, 4 [51, 76, 102]
- 6 [152]

(Specify size/type) **OUTLET**

- _____ IC Inside Caulk
- _____ IP Threaded
- _____ NH No-Hub
- _____ NL Neo-Loc
- _____ NL Neo-Loc

E BODY HT. DIM.

- 5-1/4 [133]
- 3-3/4 [95]
- 5-1/4 [133]
- 4-9/16 [116]
- 5-7/16 [138]

PREFIXES

- ___ ZC D.C.C.I. Body with Cast Iron Dome*

SUFFIXES

- | | |
|--|---|
| ___ -AC Angular Underdeck Clamp | ___ -R Roof Sump Receiver |
| ___ -AR Acid Resistant Epoxy Coated Finish | ___ -SS Stainless Steel Mesh Screen Over Dome |
| ___ -AW 3/4 [19] to 4 [102] Adjustable Water Level Regulator | ___ -SC Secondary Clamp |
| ___ -C Underdeck Clamp | ___ -ST Dome with Solid Top |
| ___ -DE Deck Extension (Includes Deck Plate -DP) | ___ -TC Neo-Loc Test Cap Gasket |
| ___ -DP Top-Set® Roof Deck Plate (Replaces both -C and -R) | ___ -85 Stainless Steel Perforated Extension |
| ___ -DR Top-Set® Adjustable Drain Riser Extension Assembly | ___ -90 90° Threaded Side Outlet Body |
| ___ -E Static Extension 1 thru 4 [25 thru 102] (Specify Ht.) | |
| ___ -EB Top Set® Adjustable Extension Assembly | |
| ___ -G Galvanized Cast Iron | |

* Regularly furnished unless otherwise specified.