



Z610-120

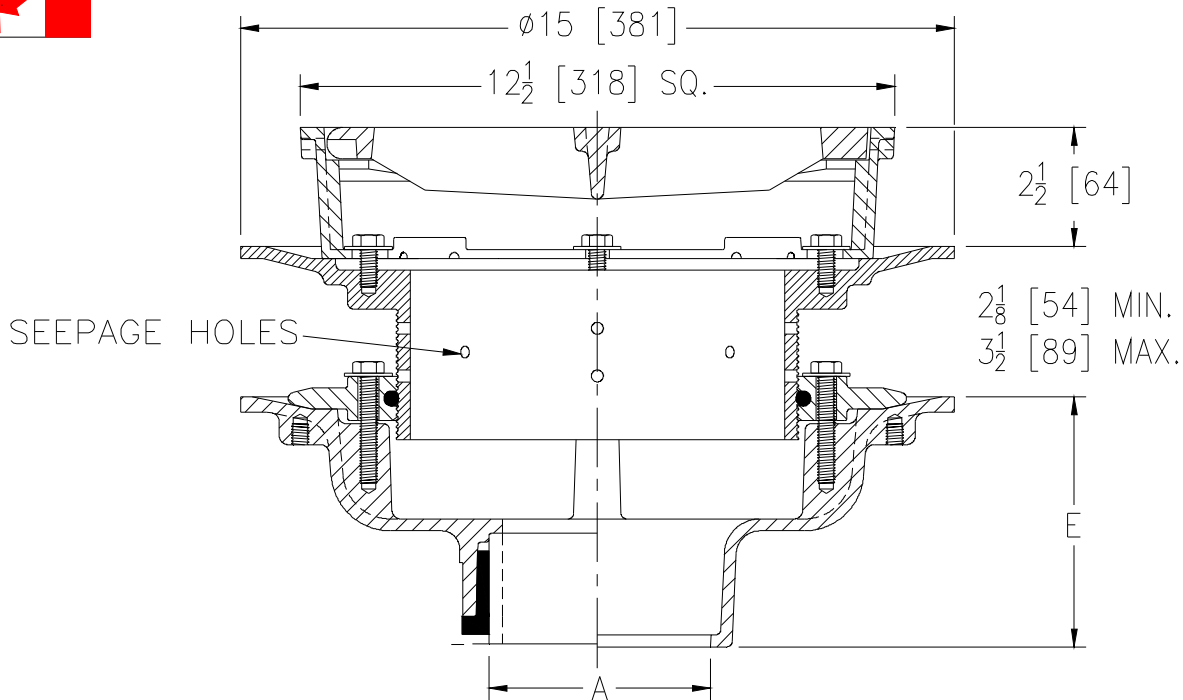
12 [305] SQ. HEAVY-DUTY ADJUSTABLE
DRAIN W/ SEEPAGE HOLES

SPECIFICATION SHEET

TAG _____



Dimensional Data (inches and [mm]) are Subject to Manufacturing Tolerances and Change Without Notice



A Pipe Size In. [mm]	Approx. Wt. Lbs. [kg]	Grate Open Area Sq. In. [cm ²]
2 thru 6 [51 thru 152]	72 [33]	40 [258]
8, 10, [203, 254]	74 [34]	

ENGINEERING SPECIFICATION: ZURN Z610-120

12 [305] square top adjustable floor drain, Dura-Coated cast iron bottom outlet body, combination membrane flashing clamp and frame with seepage slots, adjustable leveling frame with seepage holes, and heavy-duty cast iron hinged slotted grate.

OPTIONS (Check/specify appropriate options)

PIPE SIZE

- 2 thru 6, 8, 10 [51 thru 152, 203, 254]
- 2 thru 4, 6 [51 thru 102, 152]
- 2 thru 6, 8, 10 [51 thru 152, 203, 254]
- 2 thru 6, 8, 10 [51 thru 152, 203, 254]
- 2 thru 4 [51 thru 102]

(Specify size/type) **OUTLET**

- ___ IC Inside Caulk
- ___ IG Inside Caulk w/Sealtrol Gskt.
- ___ IP Threaded
- ___ NH No-Hub
- ___ NL Neo-Loc

'E' BODY HT. DIM.

- 5-1/4 [133]
- 5-1/4 [133]
- 3-3/4 [95]
- 5-1/4 [133]
- 4-5/8 [117]

PREFIXES

- ___ Z D.C.C.I. Body and Top*
- ___ ZB D.C.C.I Body w/ Polished Bronze Top (Add 3/16 [5] to 2-1/2 [64] Dim. and 11/16 [17] to 12-1/2 [318] Dim.)
- ___ ZN D.C.C.I Body w/ Polished Nickel Bronze Top (Add 3/16 [5] to 2-1/2 [64] Dim. and 11/16 [17] to 12-1/2 [318] Dim.)
- ___ ZS D.C.C.I Body w/ Polished Stainless Steel Top (Add 3/16 [5] to 2-1/2 [64] Dim. and 11/16 [17] to 12-1/2 [318] Dim.)

SUFFIXES

- ___ -AR Acid-Resisting Epoxy Coated Cast Iron
- ___ -DG Duresist Grate
- ___ -DS Deep Sump Body
- ___ -GB Galvanized Cast Iron Body Only
- ___ -HL Hinged Locking Grate
- ___ -OLF Overlay Frame (ZS Only)
- ___ -P 1/2 [13] Trap Primer Connection
- ___ -S Secondary Strainer
- ___ -VP Vandal-Proof Secured Top
- ___ -Y Sediment Bucket
- ___ -90 90° Threaded Side Outlet Body (IP or NH only)

REV.	DATE: 06/06/12	C.N. NO. 124447
DWG. NO. 309886	PRODUCT NO. Z610-120	

*REGULARLY FURNISHED UNLESS OTHERWISE SPECIFIED