



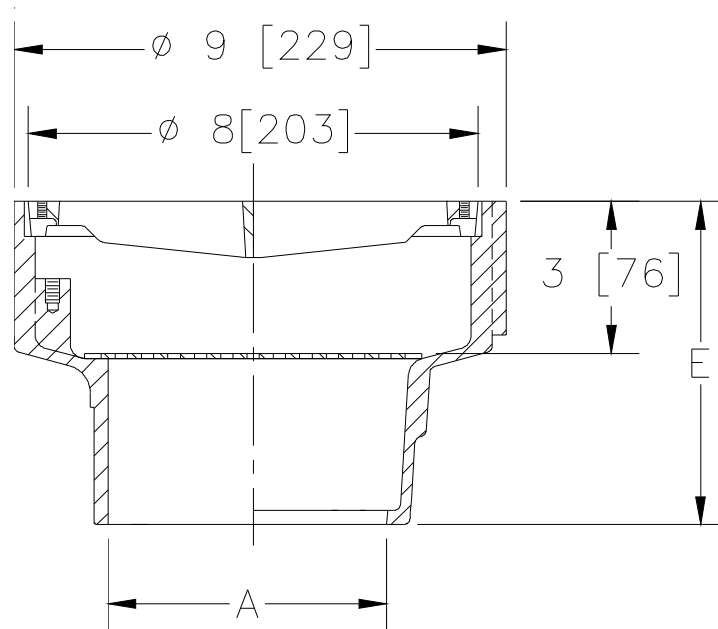
Z1970-2

9 [229] DIAMETER SHALLOW A.R.C. SANI-FLOR RECEPTOR 3 [76] SUMP DEPTH WITH 1/2 GRATE

SPECIFICATION SHEET

TAG _____

Dimensional Data (inches and [mm]) are Subject to Manufacturing Tolerances and Change Without Notice



A Pipe Size In. [mm]	Approx Wt. Lbs. [kg]	Grate Open Area Sq. In. [cm ²]
2,3,4 [51,76,102]	13 [6]	11 [71]

ENGINEERING SPECIFICATION: ZURN Z1970-2
Sani-Flor Receptor 9" [229mm] diameter x 3" [76mm] deep cast iron body and 1/2 round slotted grate, with white acid resisting coated interior and top, and brass secondary strainer.

OPTIONS (Check/specify appropriate options)

PIPE SIZE	(Specify size/type)	OUTLET		'E' BODY HT. DIMENSION	
		Z	ZN	Z	ZN
2,3,4 [51,76,102]	___	NH	No-Hub	5-3/4 [146]	6 [152]
2,3,4 [51,76,102]	___	NL	Neo-Loc	4-7/8 [124]	5-1/8 [130]

PREFIXES

- ___ Z Cast Iron Body with White A.R.C. Interior*
- ___ ZN Cast Iron Body with White A.R.C. Interior, 9 [229] Round Nickel Bronze Frame and 1/2 Slotted Grate

SUFFIXES

- ___ -K Anchor Flange with Seepage Holes
- ___ -KC Anchor Flange with Seepage Holes and Clamp Collar
- ___ -P 1/2 [13] Trap Primer Connection
- ___ -TC Neo-Loc Test Cap Gasket (2,3,4 [51,76,102] NL Outlet Only)
- ___ -11 Vandal Proof Secured Grate
- ___ -25 White A.R.C. Bucket
- ___ -31 Stainless Steel Mesh Liner for Bucket

* Regularly furnished unless otherwise specified.