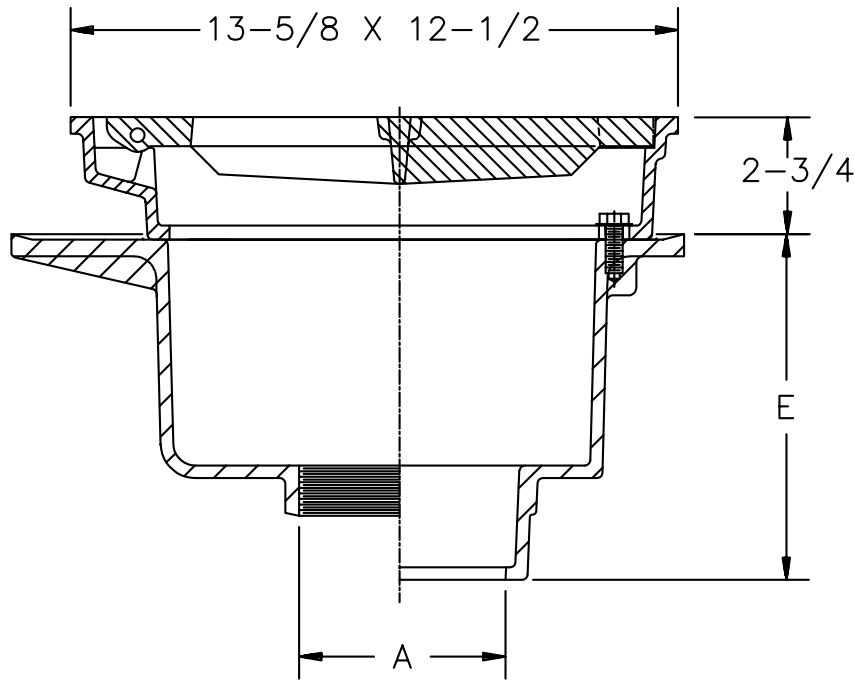




Z-645-75
12" HEAVY DUTY DRAIN
WITH HINGED GRATE

TAG _____

Dimensional Data (inches and [mm]) are Subject to Manufacturing Tolerances and Change Without Notice



A Pipe Size In.	Approx. Wt. Lbs.	Grate Open Area Sq. In.
3,4	50	44

ENGINEERING SPECIFICATION: ZURN Z-645-75 12" Diameter top heavy duty drain, Dura-Coated cast iron deep sump body with bottom outlet, seepage pan and combination flashing joint and frame for cast iron hinged extra heavy duty slotted grate.

OPTIONS (Check/specify appropriate options)

OUTLET (Specify type)

- _____ **IC** Inside Caulk
- _____ **IG** IC w/Sealtrol Gskt.
- _____ **IP** Threaded
- _____ **IP** Threaded
- _____ **NL** Neo-Loc

PIPE SIZE (Specify size)

- _____ 3",4"
- _____ 3",4"
- _____ 3"
- _____ 4"
- _____ 3",4"

**'E' BODY HT.
DIMENSION**

- 7-3/4"
- 7-3/4"
- 6"
- 6-1/4"
- 7-3/8"

PREFIXES

- _____ **Z-** D.C.C.I. Body and Grate*
- _____ **ZB-** D.C.C.I. Body with Polished Bronze Grate (Add 3/16" to 2-3/4" Dim. & 11/16" to 13-5/8 x 12-1/2" Dim.)
- _____ **ZN-** D.C.C.I. Body with Polished Nickel Bronze Grate (Add 3/16" to 2-3/4" Dim. & 11/16" to 13-5/8" x 12-1/2" Dim.)

SUFFIXES

- _____ **-DG** Duresist Grate
- _____ **-G** Galvanized Cast Iron
- _____ **-S** Secondary Strainer
- _____ **-V** Back Water Valve
- _____ **-VP** Vandal Proof Secured Top
- _____ **-Y** Sediment Bucket
- _____ **-90** 90° Side Outlet

REV.	DATE: 6/18/93	C.N. NO. 69081
DWG. NO. P-13830 PRODUCT NO. Z-645-75		

*REGULARLY FURNISHED UNLESS OTHERWISE SPECIFIED

ZURN INDUSTRIES, INC. ♦ SPECIFICATION DRAINAGE OPERATION ♦ 1801 Pittsburgh Ave. ♦ Erie, PA 16514

Phone: 814/455-0921 ♦ Fax: 814/454-7929 ♦ World Wide Web: www.zurn.com

In Canada: ZURN INDUSTRIES LIMITED ♦ 3544 Nashua Drive ♦ Mississauga, Ontario L4V1L2 ♦ Phone: 905/405-8272 Fax: 905/405-1292