

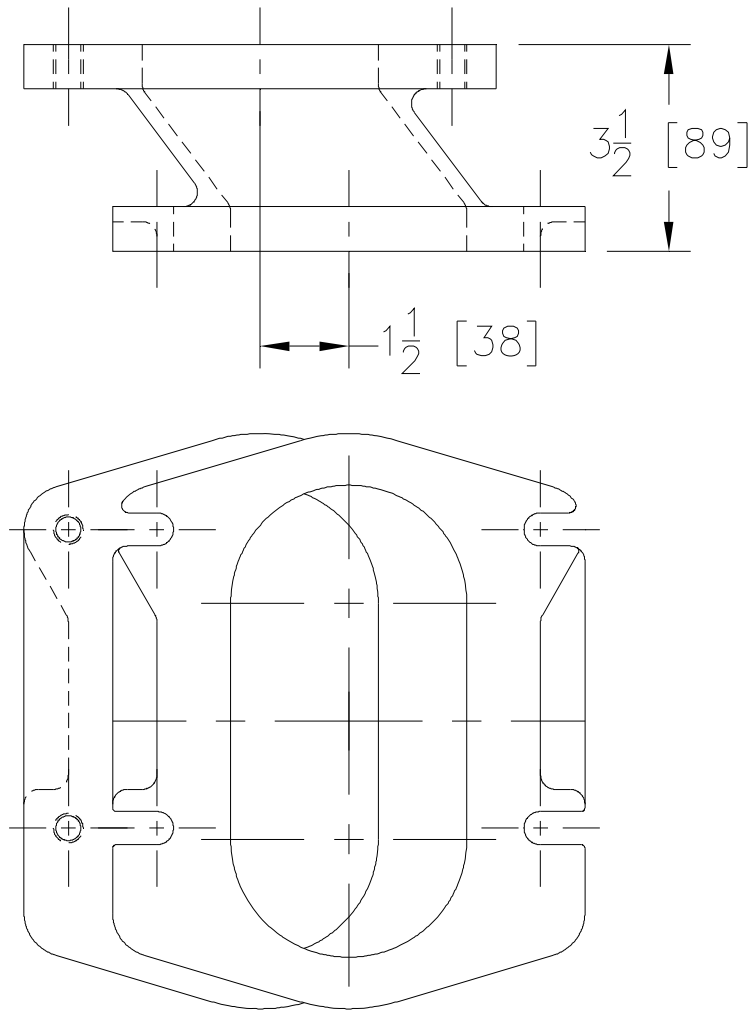


# Z1210-OFR RIGHT OFFSET FITTING

SPECIFICATION SHEET

TAG \_\_\_\_\_

Dimensional Data (inches and [ mm ]) are Subject to Manufacturing Tolerances and Change Without Notice



### ENGINEERING SPECIFICATION:

ZURN Z1210-OFR Offset fitting for 1-1/2 [38] horizontal adjustment to right on water closet carriers.

\*REGULARLY FURNISHED UNLESS OTHERWISE SPECIFIED

REV. A    DATE: 11/19/10    C.N. NO. 120490

DWG. NO. 83737    PRODUCT NO. Z1210-OFR

ZURN INDUSTRIES, LLC ♦ SPECIFICATION DRAINAGE OPERATION ♦ 1801 Pittsburgh Ave. ♦ Erie, PA 16514

Phone: 814/455-0921 ♦ Fax: 814/454-7929 ♦ World Wide Web: www.zurn.com

In Canada: ZURN INDUSTRIES LIMITED ♦ 3544 Nashua Drive ♦ Mississauga, Ontario L4V1L2 ♦ Phone: 905/405-8272 Fax: 905/405-1292