

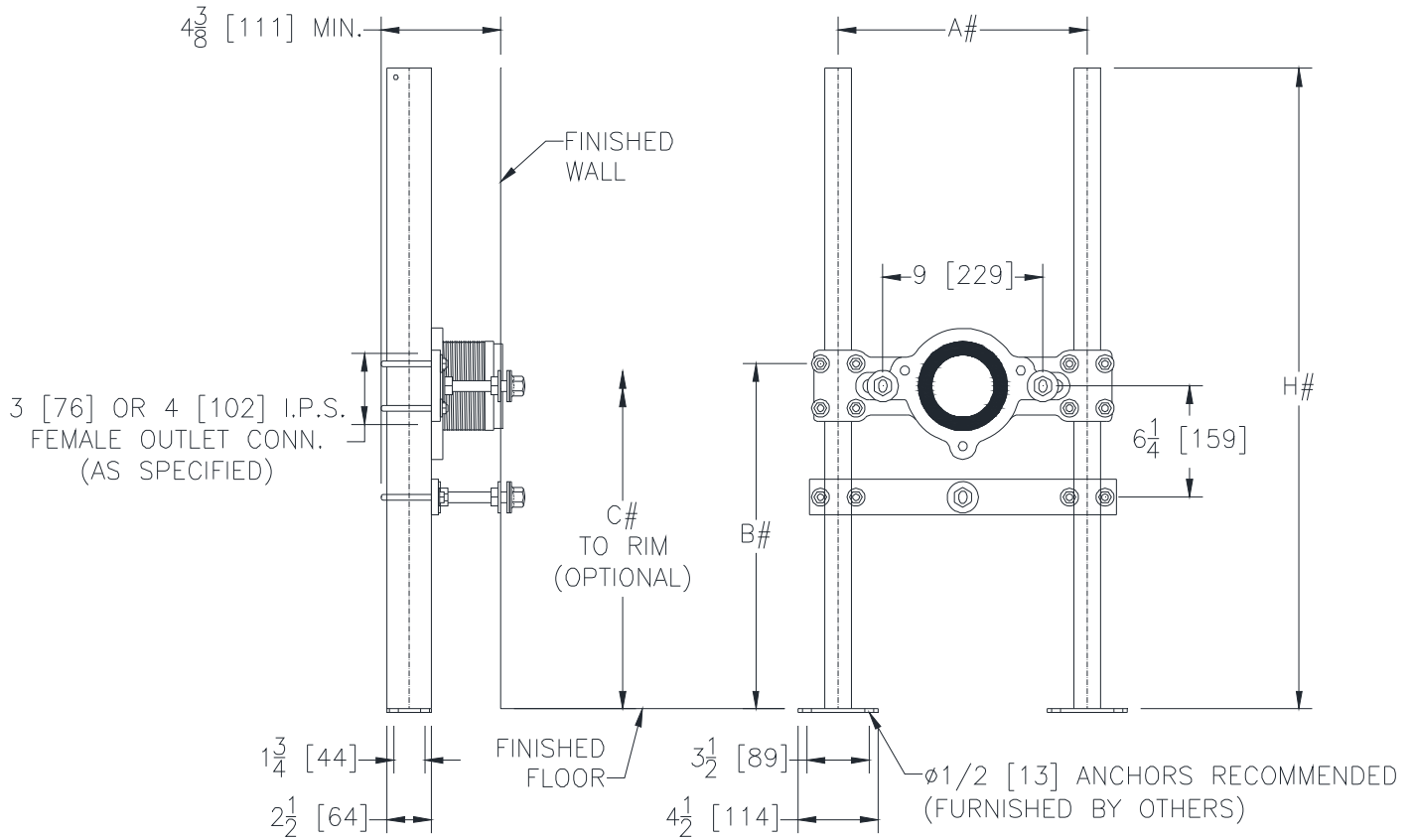


Z1218-B
COUPLING TYPE SYSTEM - BLOWOUT WALL
URINAL/SERVICE SINK

SPECIFICATION SHEET

TAG _____

Dimensional Data (inches and [mm]) are Subject to Manufacturing Tolerances and Change Without Notice



REFER TO ROUGH-IN GUIDE OF SPECIFIC FIXTURE FOR DIMENSION

Product No.	Outlet In [mm]	Approx. Wt. Lbs. [kg]
Z1218-B	3,4 [76,102]	63 [29]

ENGINEERING SPECIFICATION: ZURN Z1218-B

Service sink support system for blowout fixtures complete with Dura-Coated rectangular steel uprights with welded feet, adjustable universal support plate and hanger plate, adjustable ABS coupling with intergral test cap, fixture mounting bolts and trim.

OPTIONS (Check/specify appropriate options)

PREFIXES

_____ Z Dura-Coated System with Adjustable Coupling *

SUFFIXES

_____ -VP Vandal Proof Trim
 _____ -WS Wall Support Valve Plate (Specify Knee or Foot Action Valve Name and Number)

* Regularly furnished unless otherwise specified.