



Z1322-EZ

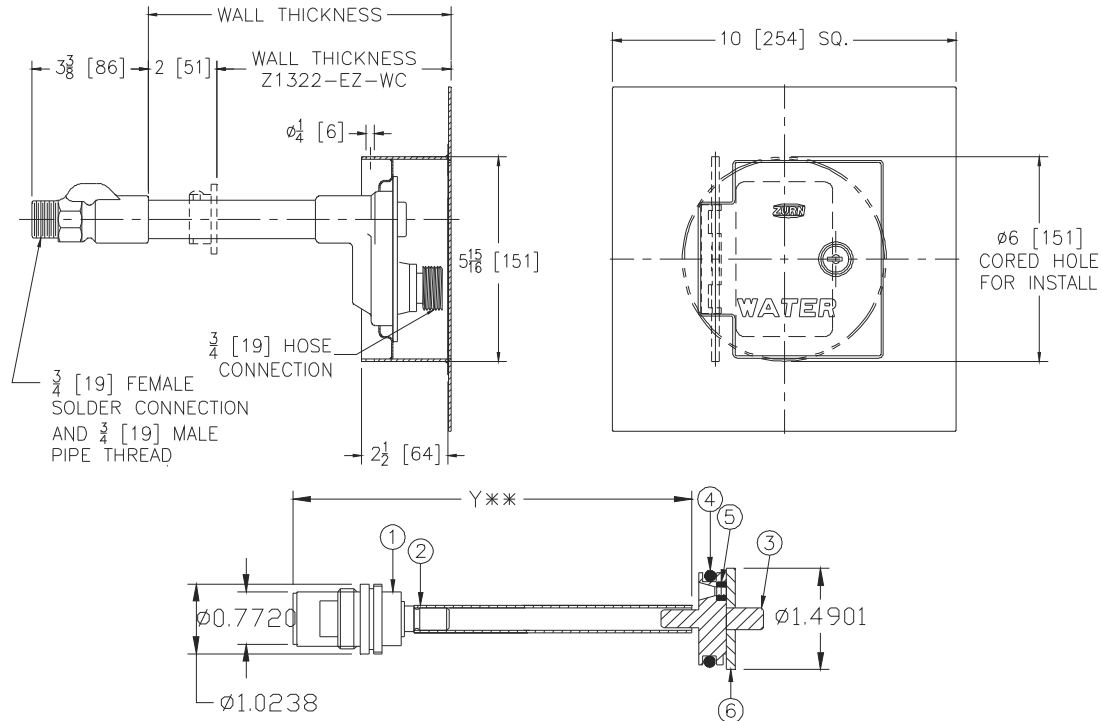
ECOLOtrol CERAMIC DISC WALL HYDRANT

Encased, Non-Freeze, Anti-Siphon, Automatic Draining

SPECIFICATION SHEET

TAG _____

Dimensional Data (inches and [mm]) are Subject to Manufacturing Tolerances and Change Without Notice



Wall Thickness in [mm]	Approx. Wt. lbs [kg]
6, 8 [152, 203]	5 [2]
10, 12, 14 [254, 305, 356]	6 [3]
16, 18 [406, 457]	7 [3]
20, 22, 24 [508, 559, 610]	8 [4]
26, 30 [660, 762]	10 [5]

ENGINEERING SPECIFICATION: ZURNZ1322-EZ

Encased, Ecolotrol™, "anti-siphon" automatic draining wall hydrant. For flush installation in 6" [152 mm] diameter cored hole concrete exterior wall. Complete with integral backflow preventer, copper casing, all-bronze interior parts with 1/2 turn ceramic disc cartridge and combination 3/4" [19 mm] female solder and 3/4" [19 mm] male pipe thread inlet. Stainless steel large flange box and hinged cover with operating key lock and "WATER" stamped on cover. (All solder connections are lead free.)

Note: During normal operation, the hydrant may take as long as one minute to complete the self draining process. This drainage feature should not be mistaken for an unsealed shut-off of the hydrant, and over-tightening of the operating coupling is not necessary.

OPTIONS (Check/specify appropriate options)

SUFFIXES

- ___ -CL Cylinder Lock
- ___ -RK Hydrant Parts Repair Kit (HYD-RK-Z1321XL/33XL)
- ___ -RT12 Ceramic Cartridge Removal Tool (Up to 12 [305] Wall)
- ___ -RT24 Ceramic Cartridge Removal Tool (Up to 24 [610] Wall)
- ___ -RT36 Ceramic Cartridge Removal Tool (Up to 36 [915] Wall)
- ___ -34EL 3/4 [19] 90° Solder Inlet Elbow
- ___ -34FIP 3/4 [19] IP Straight Female Inlet Adapter
- ___ -8 8 [203] Dia. Cored Hole

Internal Components

Item	Name	Quan.
1	Ceramic Cartridge	1
2	Operating Tube	1
3	Operating Coupling	1
4	O-Ring	1
5	O-Ring	1
6	Retaining Washer	1

PATENTED

PAT. NO. 7,395,834

* Regularly furnished unless otherwise specified.

** When ordering replacement cartridge assembly Specify Y dim.