



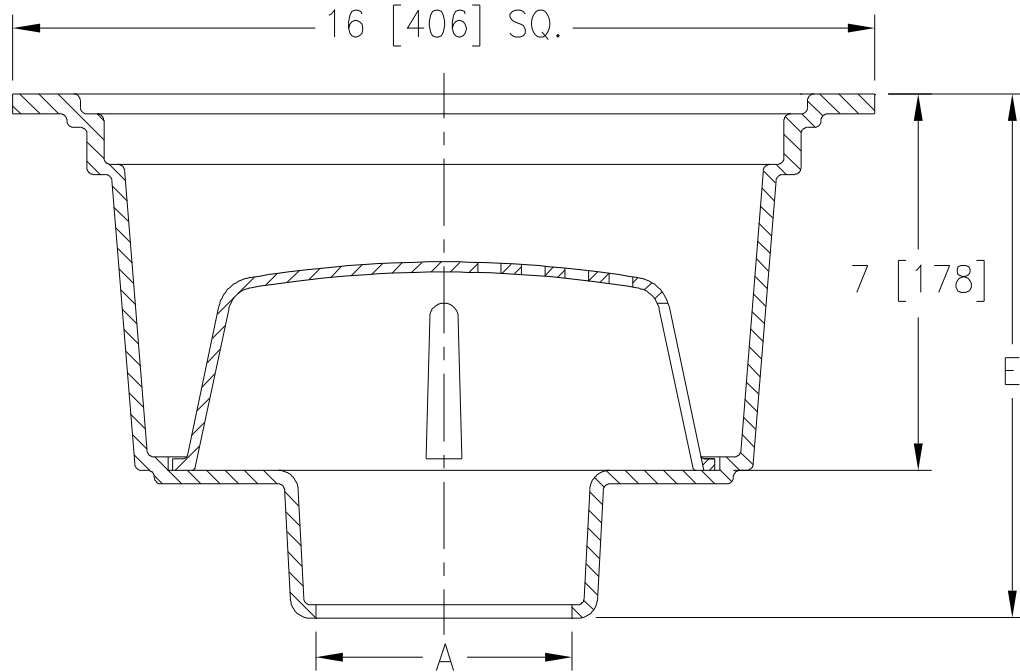
# Z1920-1

16 X 16 [406 X 406] A.R.C. SANI-FLOR RECEPTOR 7 [178]  
SUMP DEPTH LESS GRATE

SPECIFICATION SHEET

TAG \_\_\_\_\_

Dimensional Data (inches and [ mm ]) are Subject to Manufacturing Tolerances and Change Without Notice



A- Pipe Size In. [mm]	Approx Wt. Lbs. [kg]
2,3,4,6,8 [51,76,102,152,203]	55 [25]

### ENGINEERING SPECIFICATION: ZURN Z1920-1

Sani-Flor Receptor 16" x 16" x 7" [406mm x 406mm x 178mm] deep cast iron body, less grate with white acid resisting epoxy coated interior and top, complete with aluminum anti-splash interior bottom dome strainer.

### OPTIONS (Check/specify appropriate options)

#### PIPE SIZE

2, 3, 4, 6 [51, 76, 102, 152]  
8 [203]  
2, 3, 4 [51, 76, 102]

#### (Specify size/type) OUTLET

\_\_\_ IC Inside Caulk  
\_\_\_ IC Inside Caulk  
\_\_\_ NL Neo-Loc

#### 'E' BODY HT. DIMENSION

9-3/4 [248]  
10-1/4 [260]  
9 [229]

### PREFIXES

\_\_\_ Z Cast Iron Body with White A.R.C. Interior\*  
\_\_\_ ZN Cast Iron Body with White A.R.C. Interior, 16-3/4 [425] Square Nickel Bronze Frame

### SUFFIXES

___ -K Anchor Flange with Seepage Holes	___ -23 Aluminum Bucket
___ -KC Anchor Flange with Seepage Holes and Clamp Collar	___ -25 White A.R.C. Bucket
___ -LD (Less) Bottom Dome Strainer	___ -31 Stainless Steel Mesh Liner for Bucket
___ -P 1/2 [13] Trap Primer Connection	___ -33 White A.R.C. Anti-Splash Bottom Dome Strainer
___ -TC Neo-Loc Test Cap Gasket	

(2, 3, 4 [51, 76, 102] NL Bottom Outlet Only)

\* Regularly furnished unless otherwise specified.

Zurn Industries, LLC | Specification Drainage Operation  
1801 Pittsburgh Avenue, Erie, PA U.S.A. 16502 · Ph. 855-663-9876, Fax 814-454-7929  
In Canada | Zurn Industries Limited  
3544 Nashua Drive, Mississauga, Ontario L4V 1L2 · Ph. 905-405-8272, Fax 905-405-1292  
[www.zurn.com](http://www.zurn.com)

Rev. B  
Date: 10/13/17  
C.N. No. 138794  
Prod. | Dwg. No. Z1920-1