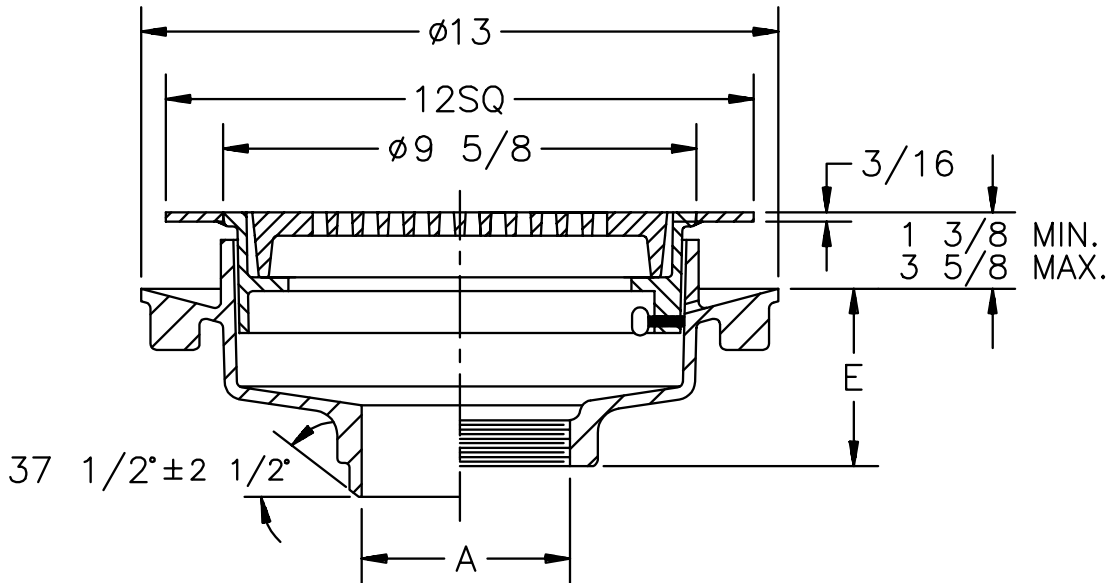




Z-1732-75
ADJUSTABLE FLOOR DRAIN

TAG _____

Dimensional Data (inches and [mm]) are Subject to Manufacturing Tolerances and Change Without Notice



A Pipe Size In.	Approx. Wt. Lbs.	Grate Open Area Sq. In.
2-3-4-6	40	14

ENGINEERING SPECIFICATION: ZURN Z-1732-75 All Type 304 (CF8) Stainless Steel adjustable floor drain with integral anchor flange, adjustable square frame and deep flange grate with plain finish.

OPTIONS (Check/specify appropriate options)

OUTLET (Specify type)

- ___ **BW** Butt-weld
(Specify Schedule 10, 40 or 80)
- ___ **IC** Inside Caulk
- ___ **NH** No-Hub

PIPE SIZE (Specify size)

- ___ 2" thru 4" 6"
- ___ 3",4"
- ___ 2",3",4"

**DIMENSION
'E' BODY HT.**

- 4-1/4"
- 5"
- 3-5/8"

PREFIXES

- ___ **Z-** Type 304 (CF8) Stainless Steel*
- ___ **ZC-** Type A-27 Carbon Steel (P.O.A.)
- ___ **ZM-** Type 316 (CF8M) Stainless Steel

SUFFIXES

- ___ **-E** Frame Extension Over 3-5/8" (Specify "K" Dim.)
- ___ **-K** Seepage Holes Only
- ___ **-KC** Clamp Collar with Seepage Holes
- ___ **-SC** Solid Secured Cover
- ___ **-SF** Satin Finish Top
- ___ **-VP** Vandal Proof Secured Top
- ___ **-Y** Sediment Bucket
- ___ **-YS** Suspended Sediment Bucket
- ___ **-30** Bronze Closure Plug
- ___ **-32** Plastic Closure Plug
- ___ **-33** Type 304 (CF8) Stainless Steel Closure Plug
- ___ **-34** Bronze Closure Plug with 3/4" Test Plug

*REGULARLY FURNISHED UNLESS OTHERWISE SPECIFIED

REV.	DATE: 8/14/92	C.N. NO. 68483
DWG. NO. P-13727 PRODUCT NO. Z-1732-75		