



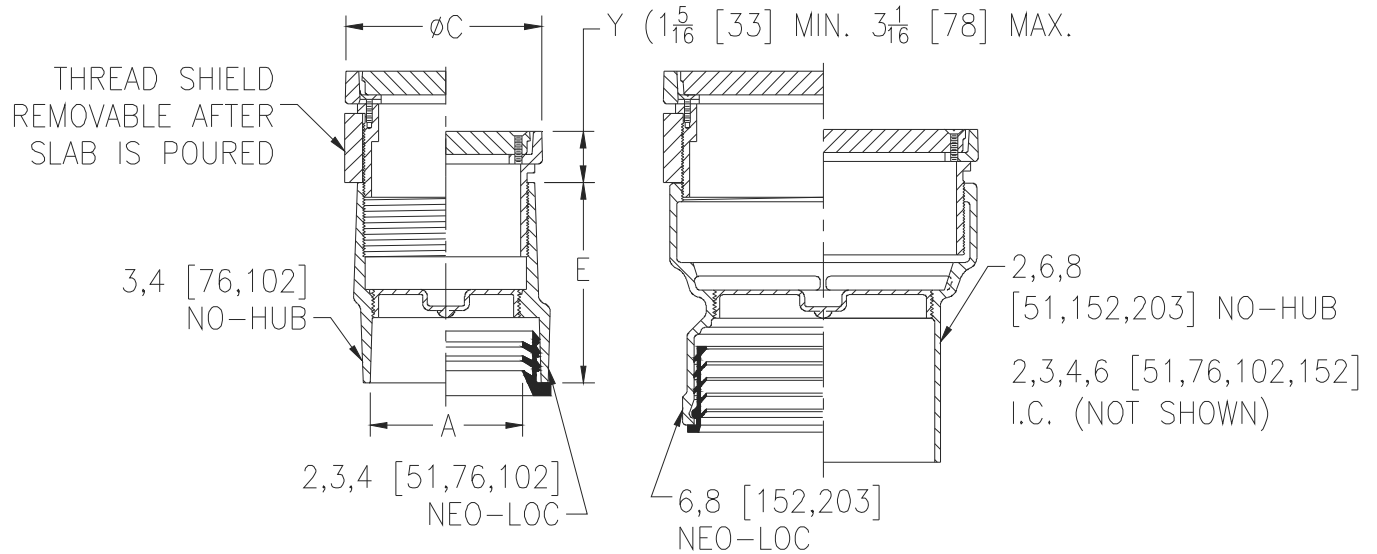
Z1400-SG

"LEVEL-TROL" ADJUSTABLE FLOOR CLEANOUT W/ SOLID GASKETED COVER

SPECIFICATION SHEET

TAG _____

Dimensional Data (inches and [mm]) are Subject to Manufacturing Tolerances and Change Without Notice



ENGINEERING SPECIFICATION: ZURNZ1400-SG

"Level-Trol" Adjustable floor cleanout, Dura-Coated cast iron body, with gas and watertight ABS tapered thread plug, and round scoriated secured top (Specify finish Z, ZB, ZN, ZS) adjustable to finished floor.

A-Pipe Size	Dimension In Inches [mm]		Approx. Wt. Lbs. [kg.]
	C	E	
Inside Caulk			
2 [51]	6-1/8 [156]	6-7/8 [175]	13.8 [6.3]
3 [76]	6-1/8 [156]	6-7/8 [175]	14 [6.4]
4 [102]	7-1/4 [184]	6-7/8 [175]	18.3 [8.3]
6 [152]	9-1/4 [235]	6-7/8 [175]	32.2 [14.6]
No-Hub			
2 [51]	4-1/8 [105]	4-5/8 [117]	7 [3]
3 [76]	4-1/8 [105]	4-3/4 [121]	7.7 [3.5]
4 [102]	5-1/8 [130]	4-3/4 [121]	10.3 [4.7]
6 [152]	8-1/4 [210]	4-3/4 [121]	22.2 [10.1]
8 [203]	9-1/4 [235]	7-1/2 [191]	29.9 [13.6]
Neo-Loc			
2 [51]	4-1/8 [105]	4-3/4 [121]	7.9 [3.6]
3 [76]	5-1/8 [130]	4-3/4 [121]	10.6 [4.8]
4 [102]	5-1/8 [130]	4-3/4 [121]	11.9 [5.4]
6 [152]	8-1/4 [210]	5-7/8 [165]	21.9 [9.9]
8 [203]	9-1/4 [235]	6-1/2 [165]	23.5 [10.7]

OPTIONS (Check/specify appropriate options)

PREFIXES

- ___ Z Dura Coated Cast Iron*
- ___ ZB D.C.C.I. w/ Polished Bronze Top (Deduct 3/4 [19] from 'Y' Dim.)
- ___ ZN D.C.C.I. w/ Polished Nickel Bronze Top (Deduct 3/4 [19] from 'Y' Dim.)
- ___ ZS D.C.C.I. w/ Polished Stainless Steel Top (Add 3/16 [5] to 'Y' Dim.)

SUFFIXES

- ___ -AR Acid Resisting Epoxy Coated Finish
- ___ -BP Bronze Plug
- ___ -CF Carpet Flange Cover (ZB and ZN only)
- ___ -DC Duresist Cover
- ___ -DX Round ZB or ZN Top with Dex-o-tex Flange
- ___ -G Galvanized Cast Iron
- ___ -HD Extra Heavy-Duty Top (Add 3/16 [5] to 'Y' Dim.) (ZB and ZN only)
- ___ -K Anchor Flange
- ___ -KC Anchor Flange w/ Clamping Collar
- ___ -SM Special Marking Stamped on Top
- ___ -T Square Top
- ___ -TC Neo-Loc Test Cap Gasket (2,3,4 [51,76,102] NL Bottom Outlet Only)
- ___ -VP Vandal-Proof Screws

PIPE SIZE

2,3,4,6 [51,76,102,152]
2,3,4,6,8 [51,76,102,152,203]
2,3,4,6,8 [51,76,102,152,203]

(Specify size/type) OUTLET

___ IC Inside Caulk
___ NH No-Hub
___ NL Neo-Loc

'E' BODY HT. DIM.

See Chart
See Chart
See Chart

* Regularly furnished unless otherwise specified.

Zurn Industries, LLC | Specification Drainage Operation

1801 Pittsburgh Avenue, Erie, PA U.S.A. 16502 · Ph. 855-663-9876, Fax 814-454-7929

In Canada | Zurn Industries Limited

3544 Nashua Drive, Mississauga, Ontario L4V 1L2 · Ph. 905-405-8272, Fax 905-405-1292

www.zurn.com

Rev. D

Date: 10/19/2017

C.N. No. 138981

Prod. | Dwg. No. Z1400-SG