



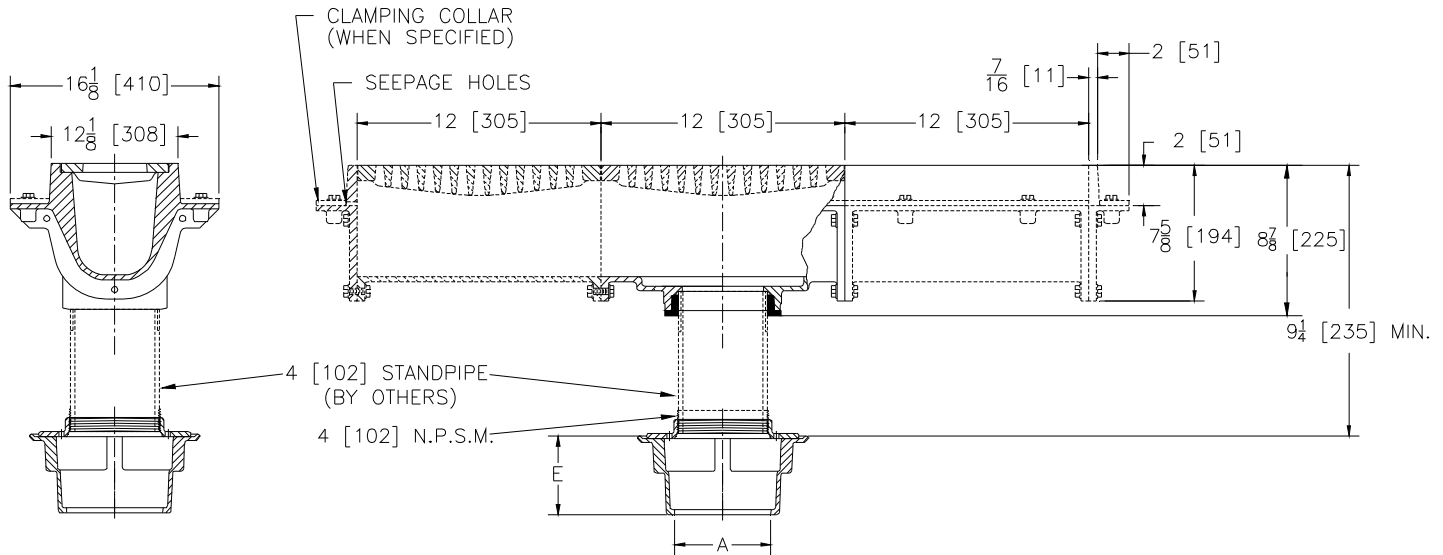
# Z665-93

SPECIFICATION SHEET

## 12 [305] WIDE MODULAR TRENCH DRAIN HEAVY DUTY W/SHALLOW BODY AND SECONDARY DRAIN

TAG \_\_\_\_\_

Dimensional Data (inches and [ mm ]) are Subject to Manufacturing Tolerances and Change Without Notice



A- Pipe Size Inches	Approx. Wt. Lbs.	Grate Open Area Sq. In.
2-3-4 [50-75-100]	100 [45]	36 [232]

### ENGINEERING SPECIFICATION Z665-93

12 [305] Wide top modular trench drain, Dura-Coated cast iron shallow body with bottom outlet and 8 3/8 [213] drain body with a clamp collar for secondary drainage. Both 12 [305] long outlet module and 12 [305] extension module are complete with integral seepage pan and heavy duty loose slotted grate.

**OPTIONS** (Check/specify appropriate options)

#### PIPE SIZE

2 thru 4 [51 thru 102]  
 2 thru 4 [51 thru 102]  
 2 [51]  
 3 [76]  
 4 [102]  
 2 thru 4 [51 thru 102]  
 2 thru 4 [51 thru 102]

(Specify size/type) **OUTLET**

\_\_\_\_\_ IC Inside Caulk  
 \_\_\_\_\_ IG Inside Gasket  
 \_\_\_\_\_ IP Threaded  
 \_\_\_\_\_ IP Threaded  
 \_\_\_\_\_ IP Threaded  
 \_\_\_\_\_ NH No-Hub  
 \_\_\_\_\_ NL Neo-Loc

**'E' BODY HT. DIM.**

3-7/8 [98]  
 3-7/8 [98]  
 2-3/8 [60]  
 2-5/8 [67]  
 2-7/8 [73]  
 3-7/8 [98]  
 3-3/4 [95]

#### PREFIXES

\_\_\_\_\_ **Z-** D.C.C.I. Body and Grate\*  
 \_\_\_\_\_ **ZB-** D.C.C.I. Body w/Polished Bronze Grate  
 \_\_\_\_\_ **ZN-** D.C.C.I. Body w/Polished Nickel Bronze Grate

#### SUFFIXES

\_\_\_\_\_ **-AR** Acid Resisting Epoxy Coated Finish (Per. Section)  
 \_\_\_\_\_ **-C** Clamp Collar (Upper Drain Per Section)  
 \_\_\_\_\_ **-DG** Duresist Grate  
 \_\_\_\_\_ **-ES** 12" [305] Extension Section (Specify Number of Sections Required)  
 \_\_\_\_\_ **-G** Galvanized Cast Iron  
 \_\_\_\_\_ **-VP** Vandal Proof Secured Top

\*REGULARLY FURNISHED UNLESS OTHERWISE SPECIFIED

REV. DATE: 6/22/11 C.N. NO. 121471

DWG. NO. 306390 PRODUCT NO. Z665-93

ZURN INDUSTRIES, LLC. ♦ SPECIFICATION DRAINAGE OPERATION ♦ 1801 Pittsburgh Ave. ♦ Erie, PA 16514

Phone: 814/455-0921 ♦ Fax: 814/454-7929 ♦ World Wide Web: www.zurn.com

In Canada: ZURN INDUSTRIES LIMITED ♦ 3544 Nashua Drive ♦ Mississauga, Ontario L4V1L2 ♦ Phone: 905/405-8272 Fax: 905/405-1292