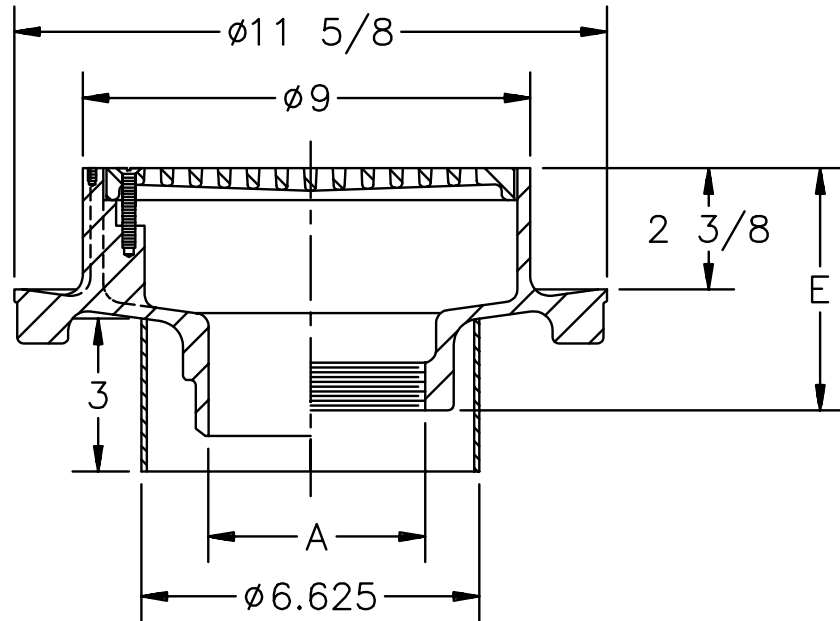




Z-1731-77
FLOOR DRAIN Medium Depth

TAG _____

Dimensional Data (inches and [mm]) are Subject to Manufacturing Tolerances and Change Without Notice



A- Pipe Size In.	Approx. Wt. Lbs.	Grate Open Area Sq. In.
2 - 3 - 4	22	21

ENGINEERING SPECIFICATION: ZURN Z-1731-77
 9" Diameter All Type 304 (CF8) Stainless Steel heavy duty floor drain with double containment wall outlet, anchor flange and loose set grate with plain finish.

OPTIONS (Check/specify appropriate options)

OUTLET (Specify type)

- _____ **BW** Buttweld
(Specify Schedule 10, 40 or 80)
- _____ **IC** Inside Caulk
- _____ **IP** Threaded

PIPE SIZE (Specify size)

- _____ 2" thru 4"
- _____ 2" thru 4"
- _____ 3", 4"

'E' BODY HT. DIMENSION

- 5-1/4"
- 5-3/4"
- 4-3/4"

PREFIXES

- _____ **Z-** Type 304 (CF8) Stainless Steel*
- _____ **ZC-** Type A-27 Carbon Steel
- _____ **ZM-** Type 316 (CF8M) Stainless Steel

SUFFIXES

- _____ **-K** Seepage Holes Only
- _____ **-KC** Clamp Collar with Seepage Holes
- _____ **-SC** Solid Secured Cover
- _____ **-SF** Satin Finish Top
- _____ **-VP** Vandal Proof Secured Top
- _____ **-Y** Sediment Bucket
- _____ **-30** Bronze Closure Plug
- _____ **-31** Plastic Closure Plug
- _____ **-33** Type 304 Stainless Steel Closure Plug
- _____ **-34** Bronze Closure Plug with 3/4" Test Plug

*REGULARLY FURNISHED UNLESS OTHERWISE SPECIFIED

REV.	DATE: 3/15/93	C.N. NO. 68952
DWG. NO. P-13807 PRODUCT NO. Z-1731-77		