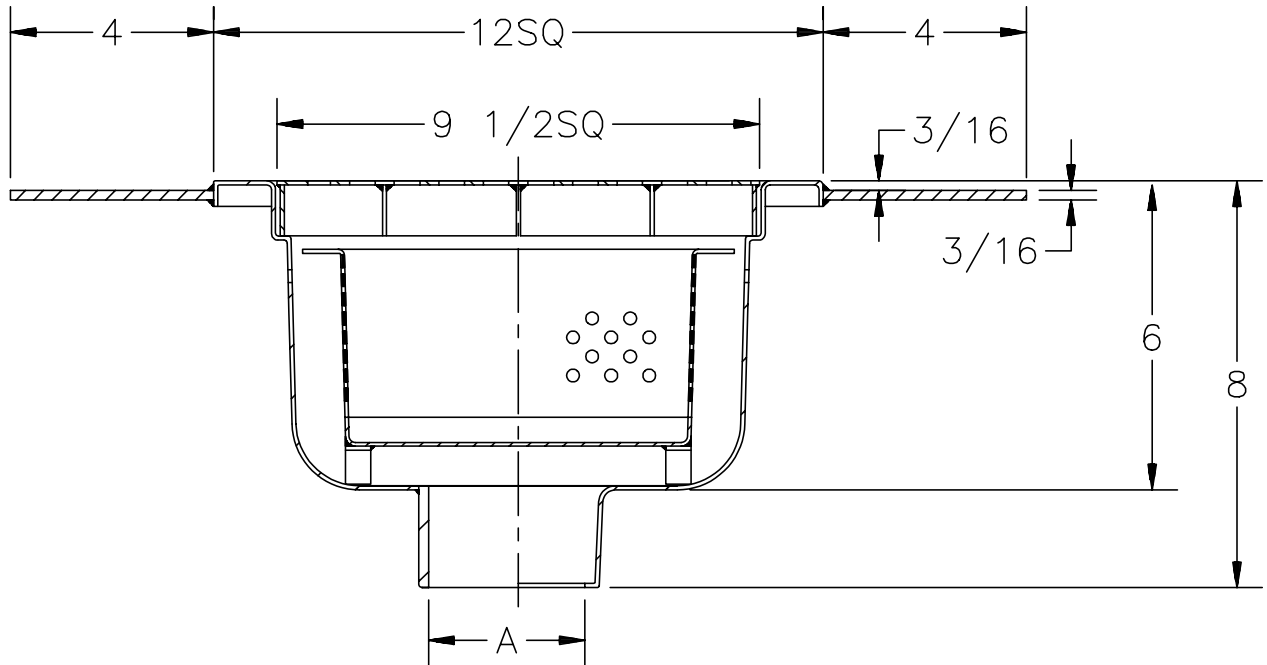




Z-1750-85
12" x 12" SANI-FLOR
RECEPTOR 6" Sump Depth

TAG _____

Dimensional Data (inches and [mm]) are Subject to Manufacturing Tolerances and Change Without Notice



| A- Pipe Size In. | Approx. Wt. Lbs. | Grate Open Area Sq. In. |
|------------------|------------------|-------------------------|
| 2-3-4 | 15 | 21 |

ENGINEERING SPECIFICATION: ZURN Z-1750-85
 12"x12"x6" deep, 14 gage, All Type 304 (CF8) Stainless Steel light duty Sani-Flor receptor with Dex-o-tex flange and non-tilt, loose set full grate with 1/2" square openings and sediment bucket.

OPTIONS (Check/specify appropriate options)

OUTLET (Specify type)

- IC** Inside Caulk
- NH** No-Hub

PIPE SIZE (Specify size)

- 3", 4"
- 2" thru 4"

PREFIXES

- Z-** Type 304 (CF8) Stainless Steel*

SUFFIXES

- HD** Cast Stainless Steel Heavy Duty Top Frame and Slotted Grate (add 1/2" to 6-9/16" Dim.)
- P** 1/2" Trap Primer Connection
- YS** Suspended Sediment Bucket
- 1** Less Grate
- 2** 1/2 Grate
- 3** 3/4 Grate
- 4** Full Grate with 3" Square Center Opening
- 5** Grate w/4" Dia. x 3-3/4" High 304 S.S. Funnel
- 8** Grate w/8-3/8 x 3-5/8 High 304 S.S. Oval Funnel
- 15** Solid Cover
- 16** 1/2 Solid Cover
- 17** 3/4 Solid Cover
- 18** Solid Cover w/3" Square Center Opening

| | | |
|---|----------------------|-----------------------|
| REV. | DATE: 10/8/93 | C.N. NO. 69303 |
| DWG. NO. P-13879 PRODUCT NO. Z-1750-95 | | |

*REGULARLY FURNISHED UNLESS OTHERWISE SPECIFIED