



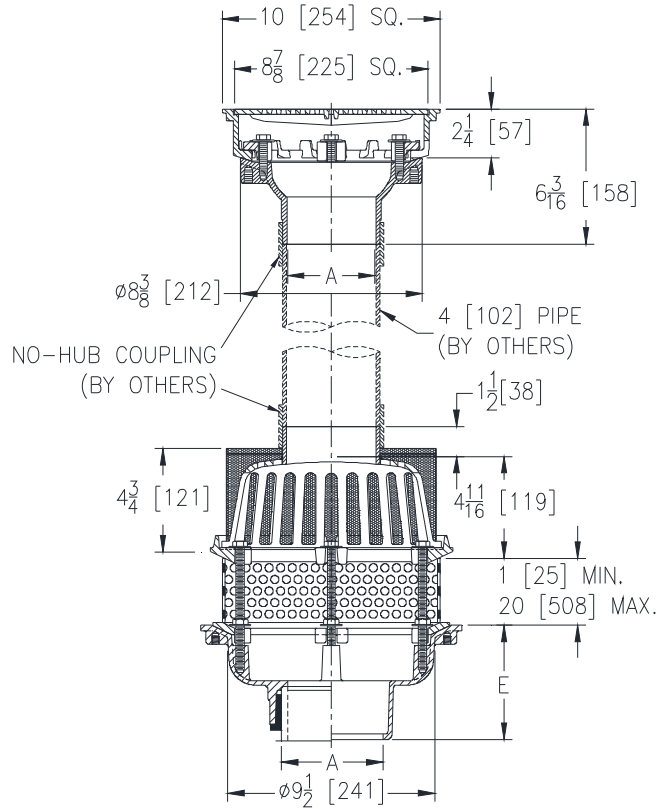
Z121-117

12 [305] DIAMETER MAIN ROOF DRAIN W/ Z158 UPPER PROM-DECK DRAIN ASSEMBLY

SPECIFICATION SHEET

TAG _____

Dimensional Data (inches and [mm]) are Subject to Manufacturing Tolerances and Change Without Notice



| A Pipe Size In. | Approx. Wt. Lbs. [kg] | Grate Open Area Sq. In. [cm ²] |
|--------------------|--------------------------|---|
| 2-3-4 [51-76-102] | 48 [22] | 21 [135] |

ENGINEERING SPECIFICATION: ZURN Z121-117

12 [305] Diameter roof drain. Dura-Coated cast iron body with combination membrane flashing clamp/gravel guard and low silhouette cast iron dome with 4 [102] no-hub adapter, stainless steel mesh over dome, perforated extension, and secondary clamp collar. Upper assembly is 10 [254] square top prom-deck drain. Dura-Coated cast iron body with rotatable, square promenade frame with seepage openings, frame clamps, and light duty heel proof grate..

OPTIONS (Check/specify appropriate options)

PIPE SIZE

- 2-3-4 [51-76-102]
- 2-3-4 [51-76-102]
- 2-3-4 [51-76-102]
- 2-3-4 [51-76-102]

(Specify size/type) OUTLET

- ___ IC Inside Caulk
- ___ IP Threaded
- ___ NH No-Hub
- ___ NL Neo-Loc

E BODY HT. DIM.

- 5-1/4 [133]
- 3-3/4 [95]
- 5-1/4 [133]
- 4-9/16 [116]

PREFIXES

- ___ Z D.C.C.I. Body and Grate*
- ___ ZB D.C.C.I. Body with Polished Bronze Top (Add 3/16 [5] to 2-1/4 [57] Dim & 5/8 [16] to 10 [254] Dim.)
- ___ ZN D.C.C.I. Body with Polished Nickel Bronze Top (Add 3/16 [5] to 2-1/4 [57] Dim & 5/8 [16] to 10 [254] Dim.)

SUFFIXES

- ___ -AR Acid Resistant Epoxy Coated Cast Iron
- ___ -C Underdeck Clamp (Lower Body)
- ___ -DG Duresist Grate
- ___ -DP Top-Set® Deck Plate (Lower Body)
- ___ -DR Top-Set® Drain Riser (Lower Body)
- ___ -E 2 [52] High Static Extension (Upper Body)
- ___ -EB Top-Set® Adjustable Extension Assembly (Lower Body)
- ___ -G Galvanized Cast Iron
- ___ -GD Galvanized Cast Iron Dome (Lower Body)
- ___ -R Roof Sump Receiver (Lower Body)
- ___ -TC Neo-Loc Test Cap Gasket (2 - 4 [51 - 102] NL Bottom Outlet Only)
- ___ -VP Vandal-Proof Secured Top (Upper Body)
- ___ -Y Sediment Bucket (Upper Body)
- ___ -90 90° Threaded Side Outlet Body (2 thru 4 [51 or 102]) (Lower Body)

* Regularly furnished unless otherwise specified.