



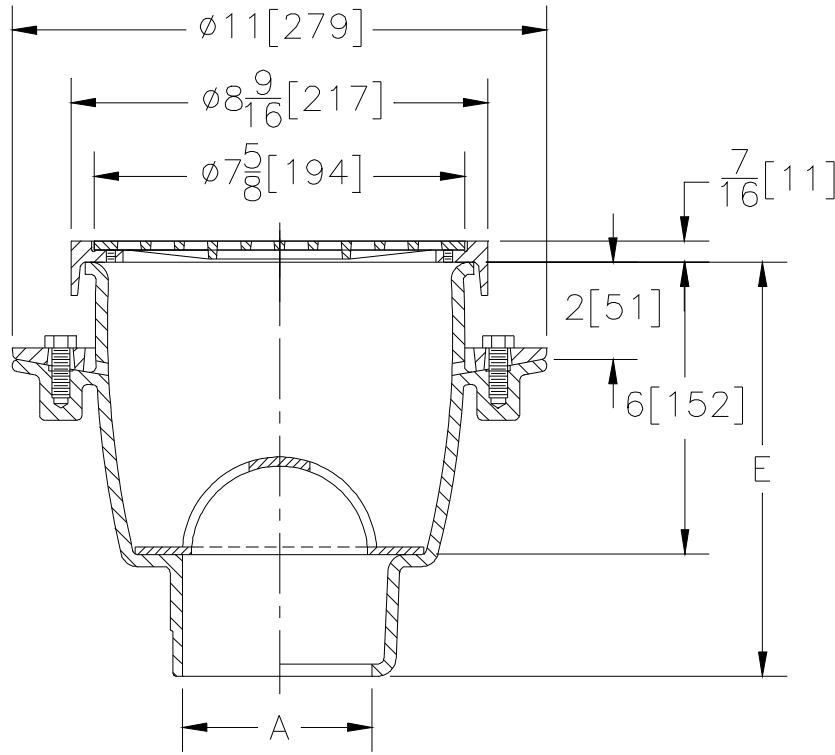
# ZN1960-KC

8 [203] DIAMETER A.R.E. SANI-FLOR RECEPTOR  
 6 [152] SUMP DEPTH WITH ANCHOR FLANGE WITH  
 SEEPAGE HOLES AND CLAMPING COLLAR

SPECIFICATION SHEET

TAG \_\_\_\_\_

Dimensional Data (inches and [ mm ]) are Subject to Manufacturing Tolerances and Change Without Notice



A Pipe Size In. [mm]	Approx Wt. Lbs. [kg]	Grate Open Area Sq. In. [cm <sup>2</sup> ]
2,3,4 [51,76,102]	25 [11]	15 [97]

**ENGINEERING SPECIFICATION: ZURN ZN1960-KC**

Sani-Flor receptor 8" [203mm] diameter x 6" [152mm] deep cast iron body, anchor flange with seepage holes and clamp collar, nickel bronze frame and full grate with 1/4" [6mm] square openings, white acid resisting porcelain enamel interior, black ground enamel exterior coating, complete with aluminum anti-splash interior bottom dome strainer.

**OPTIONS** (Check/specify appropriate options)

**PIPE SIZE**

- 3,4 [76,102]
- 2,3,4 [51,76,102]
- 2,3,4 [51,76,102]

(Specify size/type) **OUTLET**

- \_\_\_ IC Inside Caulk
- \_\_\_ NH No-Hub
- \_\_\_ NL Neo-Loc

**'E' BODY HT. DIMENSION**

- 9 [229]
- 9 [229]
- 8-7/16 [214]

**SUFFIXES**

- \_\_\_ -LD Less Bottom Dome Strainer
- \_\_\_ -P 1/2 [13] Threaded Trap Primer Connection (See Z1023)
- \_\_\_ -T Square Frame and Round Grate with 1/4 [6] Square Openings (ZN Only)
- \_\_\_ -TC Neo-Loc Test Cap Gasket (2,3,4 [51,76,102] NL Bottom Outlet Only)
- \_\_\_ -1 Less Grate
- \_\_\_ -2 1/2 Grate
- \_\_\_ -3 3/4 Grate
- \_\_\_ -4 Full Grate With 2 [51] Square Opening
- \_\_\_ -6 Grate w/6 [152] Diameter x 6 [152] High Funnel
- \_\_\_ -8 Grate w/8-7/8 x 3-5/8 x 3-3/4 [225 x 92 x 95] High Oval Funnel
- \_\_\_ -11 Vandal Proof Secured Grate
- \_\_\_ -15 Solid Loose Set Cover
- \_\_\_ -23 Aluminum Bucket
- \_\_\_ -25 White A.R.C. Bucket
- \_\_\_ -31 Stainless Steel Mesh Liner for Bucket
- \_\_\_ -32 Aluminum Dome Strainer
- \_\_\_ -33 White A.R.C. Anti-Splash Bottom Dome Strainer

\* Regularly furnished unless otherwise specified.