

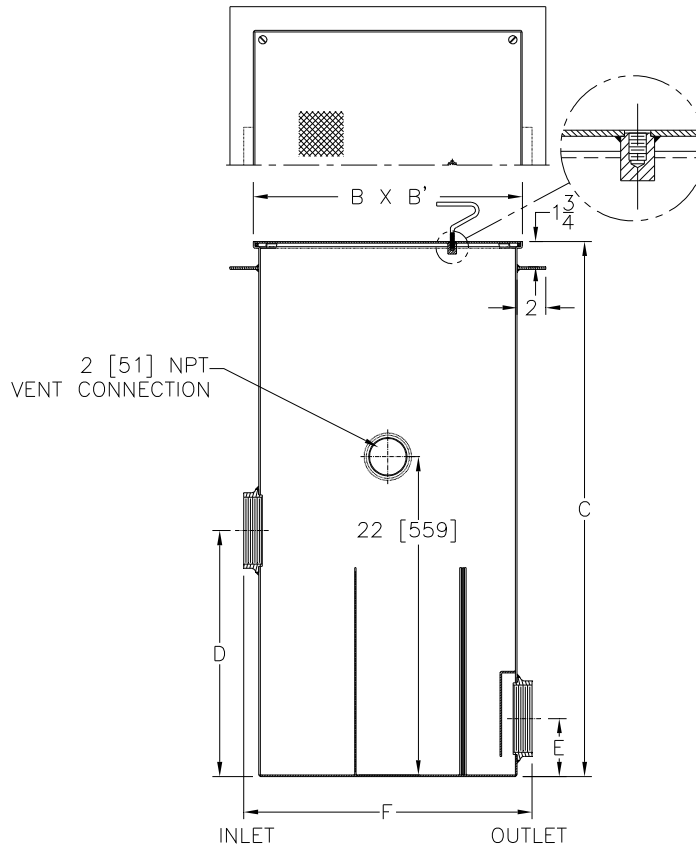


Z1185-110

LINT INTERCEPTOR WITH ANCHOR FLANGE, VENT, AND INTEGRAL EXTENSION

TAG _____

Dimensional Data (inches and [mm]) are Subject to Manufacturing Tolerances and Change Without Notice



Size No. of Machines	Inlet/Outlet Size	Flow Rate G.P.M. [L]	Approx. Wt. Lbs. [kg]	Dimensions In Inches					
				B	B'	C	D	E	F
7	4 [102]	70 [265]	225 [102]	25 [635]	25 [635]	37[940]	17[432]	4 [102]	25 1/2 [648]

ENGINEERING SPECIFICATION: ZURN Z1185-110 Acid Resistant Coated interior and exterior fabricated steel lint interceptor, non-skid secured cover, stainless lint intercepting secondary screen assembly and permanent primary straining baffle, anchor flange, vent connection, and built-in extension. Regularly furnished with high inlet and low outlet.

OPTIONS (Check/specify appropriate options)

PREFIXES

_____ Z Acid Resistant Coated Fabricated Steel*

SUFFIXES

_____ -RS Stainless Steel Screen Replacement Assembly

REV. A	DATE: 11/30/06	C.N. NO. 95893
DWG. NO. P-15344 PRODUCT NO. Z1185-110		

*REGULARLY FURNISHED UNLESS OTHERWISE SPECIFIED